

Inline Pump Pressure Regulator – Model 5010

With minimal bypass and increased seat life, the Model 5010 back pressure regulator increases system efficiency and decreases maintenance time. Made in the USA.

Features:

- Smooth regulation over varying pressures
- In-line ports for easy installation
- Minimal parts for quick maintenance
- Wear resistant contoured seat increases valve life
- Ports for optional relief valve and pressure gauge

Specifications:

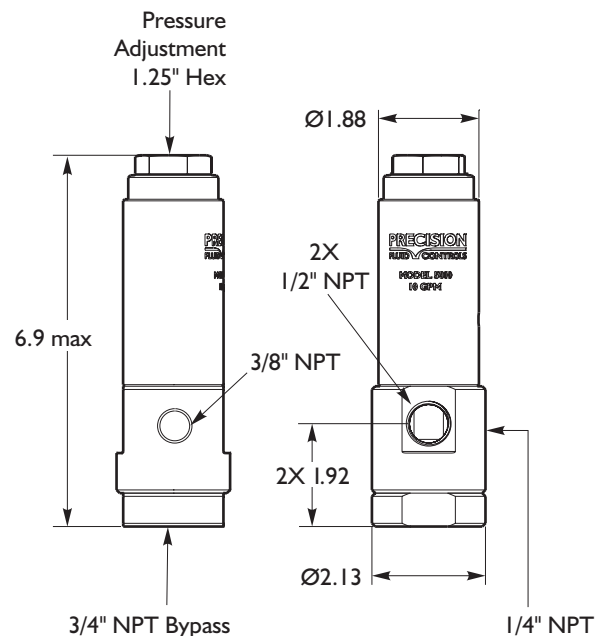
- Flow Rate: 0.25 gpm to 10 gpm max
- Pressure Range: 100 psi to 3000 psi (spring change required)
- Temperature Range: up to 180°F
- Inlet/Outlet Ports: 1/2" NPTF
- Bypass Port: 3/4" NPTF
- Weight: 4.5 lb.
- Gauge Port: 1/4" NPTF
- Relief Port: 3/8" NPTF

Wetted Materials:

- Body: Electroless nickel plated brass or 303 stainless steel
- Contoured Piston: Series 300 stainless steel
- Outlet Seat Fitting: Series 300 stainless steel
- Soft Goods: Viton®, EPR, or Buna and Teflon® backup ring

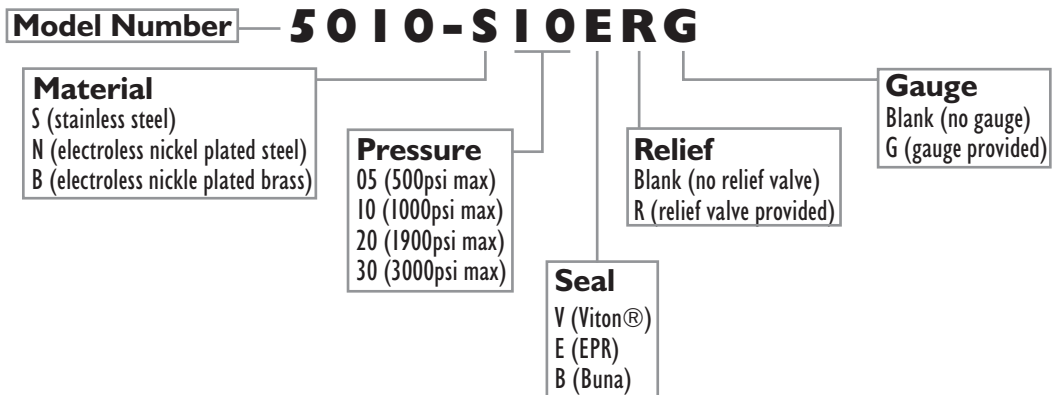
Applications:

Back pressure regulator for self service car washes, automatic car wash systems and fogging or misting systems. Multiple sprayer systems. High pressure water sprayers. High pressure water systems using fixed pump pressure.



Inline Pump Pressure Regulator – Model 5010

Ordering Information:



For a repair kit, order RK5010-Viton®, RK5010-EPR or RK5010-Buna depending on the seal material required.

Installation Instructions:

Mount this regulator on or near the pump discharge manifold head. The inlet and outlet ports are clearly marked on the sides of the valve body. An arrow indicates flow direction. Use flexible high pressure hose and match the plumbing to the size of the regulator ports. For optimal operation, by-pass at least 5% of the flow through the by-pass port on the bottom of the regulator. Install the pressure gauge in the 1/4" port and the relief valve in the 3/8" port.