

1/4" Check Valves - Models 7014 & 7015

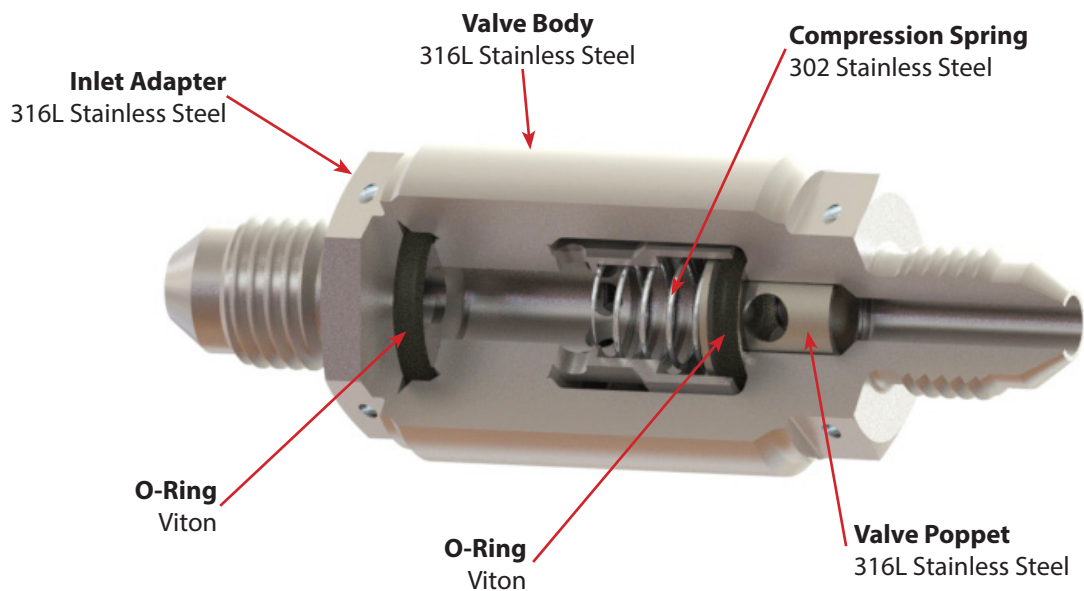
These check valves are durable, high flow, have a low cracking pressure and are of 316SST construction. These valves are an economical, excellent choice for aerospace applications and can handle a wide assortment of gases. Made in USA.

Specifications:

- Outlet Connection AS4395
- Inlet Connection AS4395 (7014)
AS5202 (7015)
- Operating Pressure 6000 psig
- Proof Pressure 9000 psig
- Burst Pressure 15000 psig min.
- Cracking Pressure 5 psi max.
- Operating Temperatures -15 °F to +350 °F
- Flow Coefficient (C_v) .54
- Leakage Internal - Zero
External - Zero



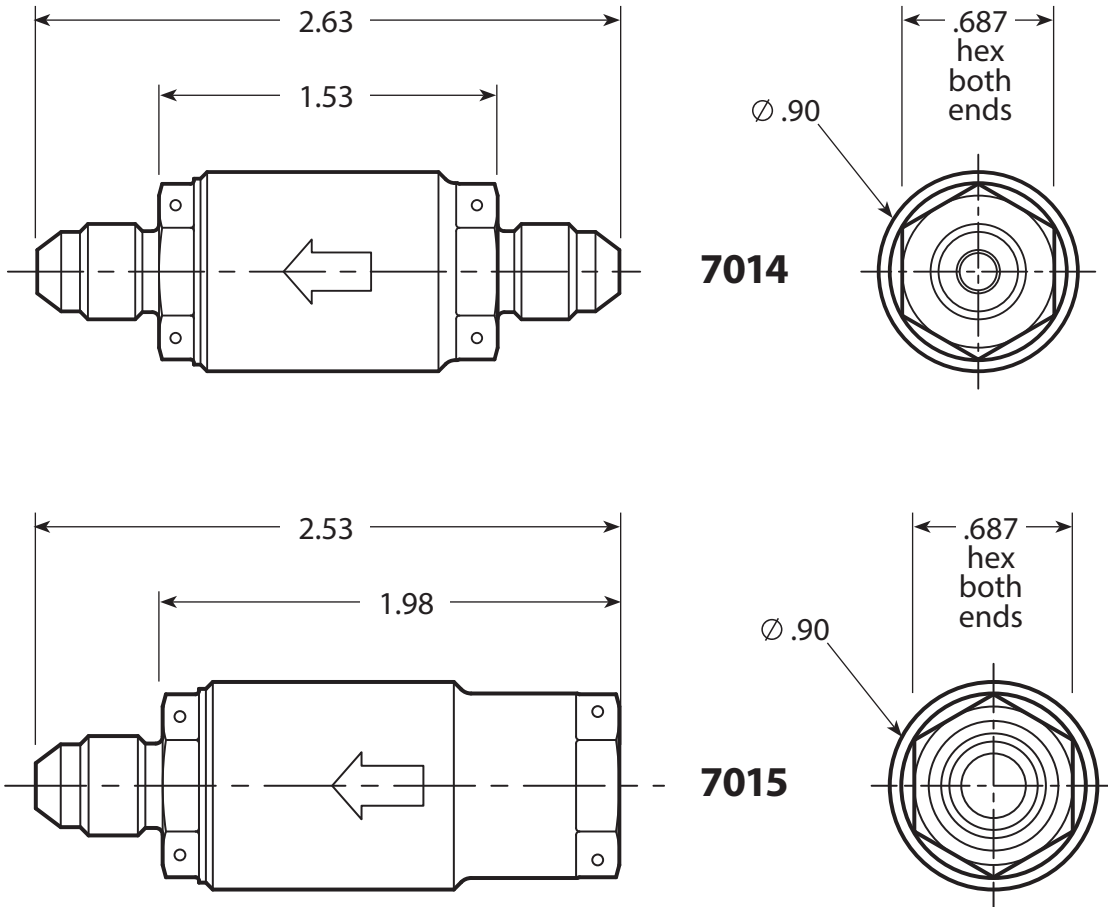
Component Materials:



Model 7014 is shown here. Model 7015 component materials are the same.

1/4" Check Valves - Models 7014 & 7015

Dimensions:



Ordering Information:

1/4" Check valve with male inlet and outlet

07014000

1/4" Check valve with female inlet and male outlet

07015000