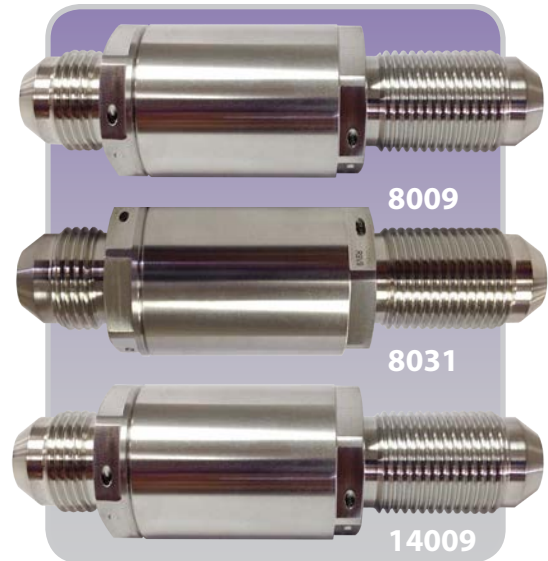


1/2" Bulkhead Mount Check Valves - Models 8009 & 8031 & 14009

These check valves are available for both cryogenic and ambient applications, most commonly used as panel mounted valves. They are durable, high flow, have a low cracking pressure and are an economical, excellent choice for aerospace applications. Made in USA.

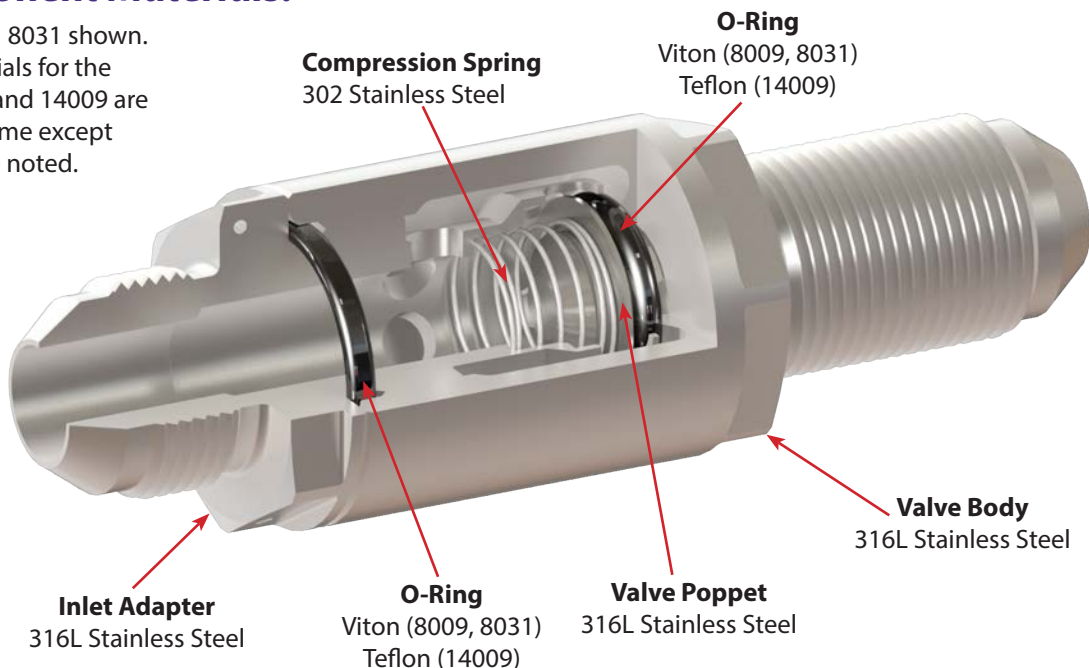


Specifications:

	8009	8031	14009
• Inlet Connections	AS4395	AS4396	AS4396
• Outlet Connections	AS4396	AS4395	AS4395
• Operating Pressure	————— 3000 psi max. —————		
• Proof Pressure	————— 4500 psig —————		
• Burst Pressure	————— 7500 psig —————		
• Cracking Pressure	5 psi max.	5 psi max.	6-9 psig
• Operating Temperatures			
Minimum	-15 °F	-15 °F	-320 °F
Maximum	+400 °F	+400 °F	+165 °F

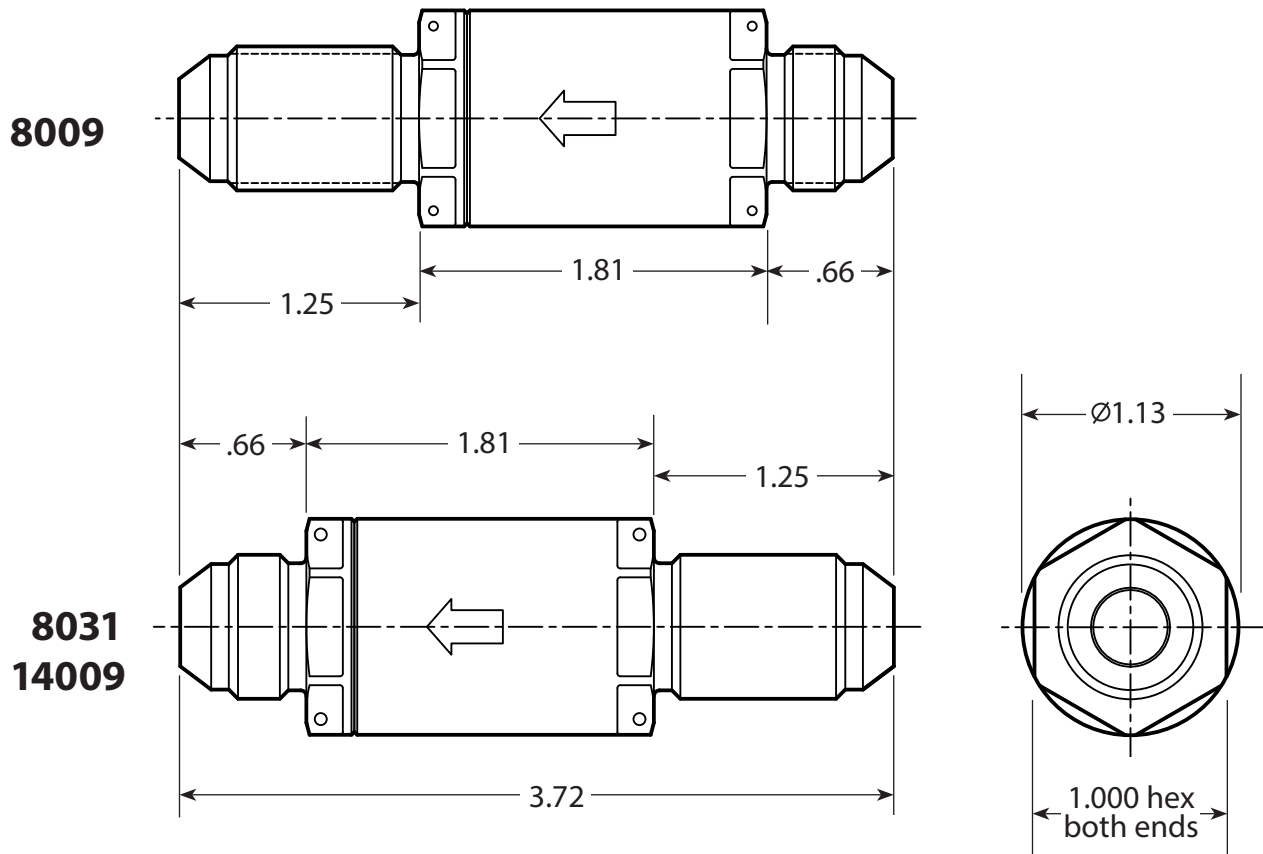
Component Materials:

Model 8031 shown. Materials for the 8009 and 14009 are the same except where noted.



1/2" Bulkhead Mount Check Valves - Models 8009 & 8031 & 14009

Dimensions:



Ordering Information:

1/2" Check valve for ambient service with flow direction toward bulkhead	08009000
1/2" Check valve for ambient service with flow direction away from bulkhead	08031000
1/2" Check valve for cryogenic service with flow direction away from bulkhead	14009000