

1/2" Miniature Check Valve - Model 12035008

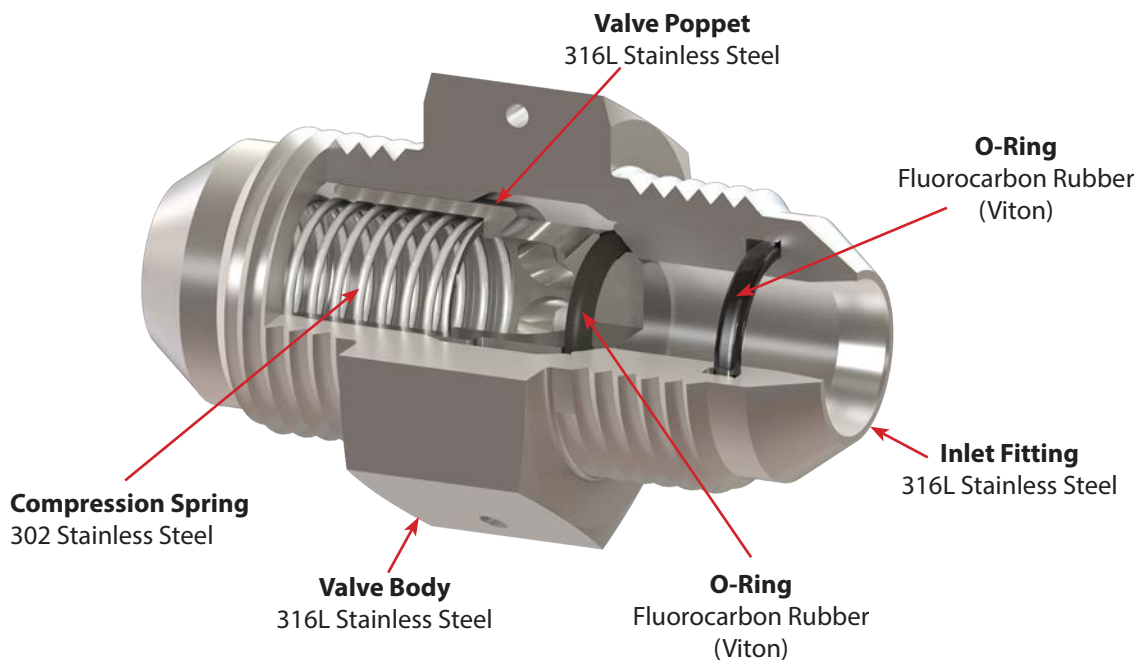
*This small compact check valve is a robust option for reverse flow control in aerospace applications requiring light weight and bubble tight leak prevention. This economical check valve is excellent for aerospace applications with tight installation envelopes.
Made in USA.*

Specifications:

- Inlet/Outlet Connections AS4395
- Operating Pressure 3000 psi max.
- Proof Pressure 4500 psig
- Burst Pressure 9000 psig
- Cracking Pressure 3 psi max.
- Operating Temperatures
Minimum -15 °F
Maximum +400 °F

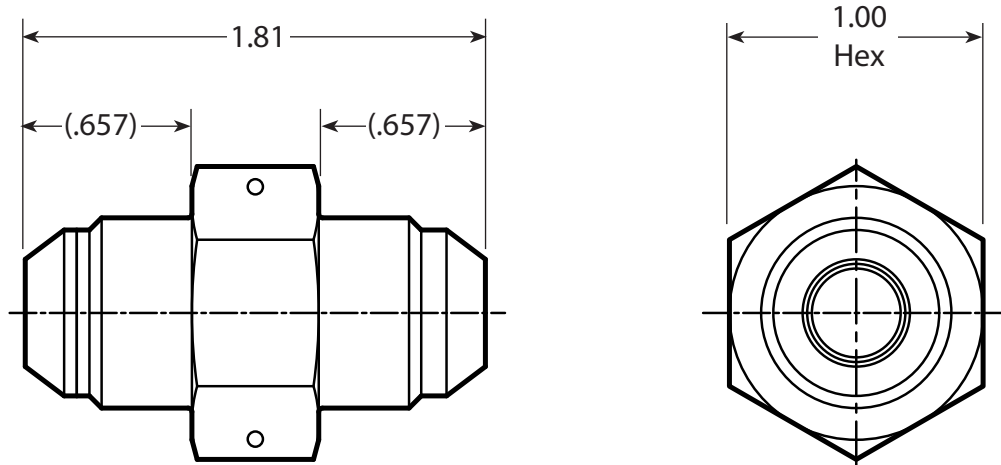


Component Materials:



1/2" Miniature Check Valve - Model 12035008

Dimensions:



Ordering Information:

1/2" Check valve

12035008