

1/2" Check Valves - Models 13018 & 13019

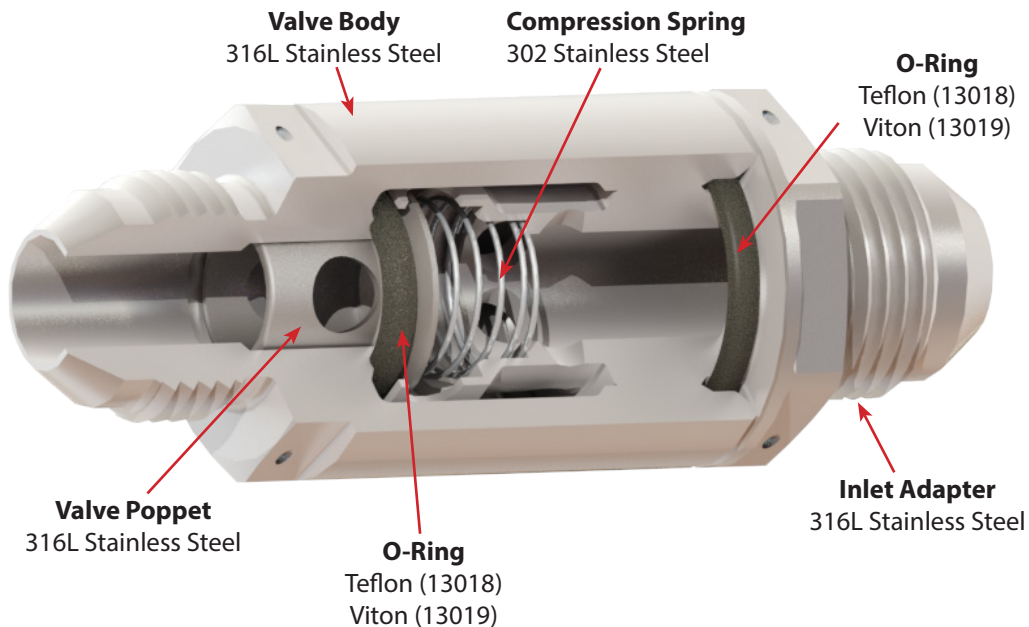
*These check valves are available for both cryogenic and ambient applications. They are durable, high flow, have a low cracking pressure and are an economical, excellent choice for aerospace applications.
Made in USA.*



Specifications:

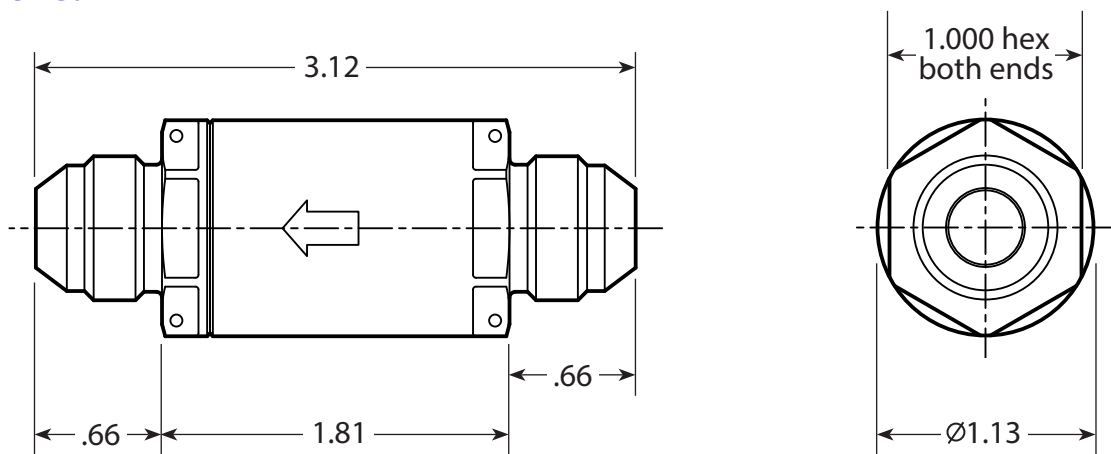
	13018	13019
• Inlet/Outlet Connections	AS4395	AS4395
• Operating Pressure	3000 psi max.	3000 psi max.
• Proof Pressure	4500 psig	4500 psig
• Burst Pressure	7500 psig	7500 psig
• Cracking Pressure	1 psi	2-3 psi
• Operating Temperatures		
Minimum	-320 °F	-15 °F
Maximum	+165 °F	+400 °F

Component Materials:



1/2" Check Valves - Models 13018 & 13019

Dimensions:



Ordering Information:

- | | |
|--|-----------------|
| 1/2" Check valve for cryogenic service | 13018000 |
| 1/2" Check valve for ambient service | 13019000 |