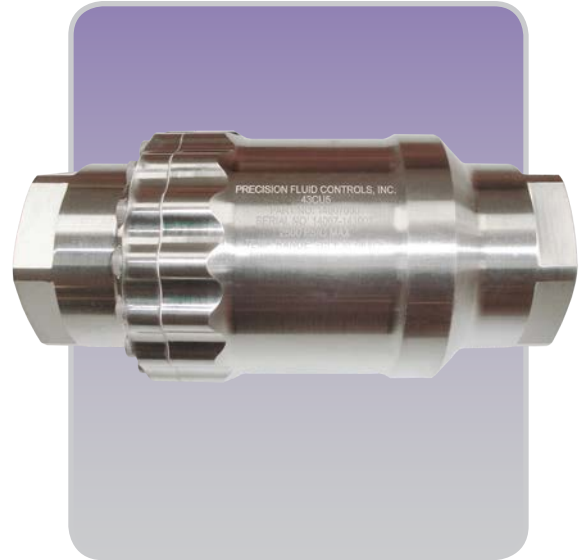


## 1½" Check Valve - Model 14007

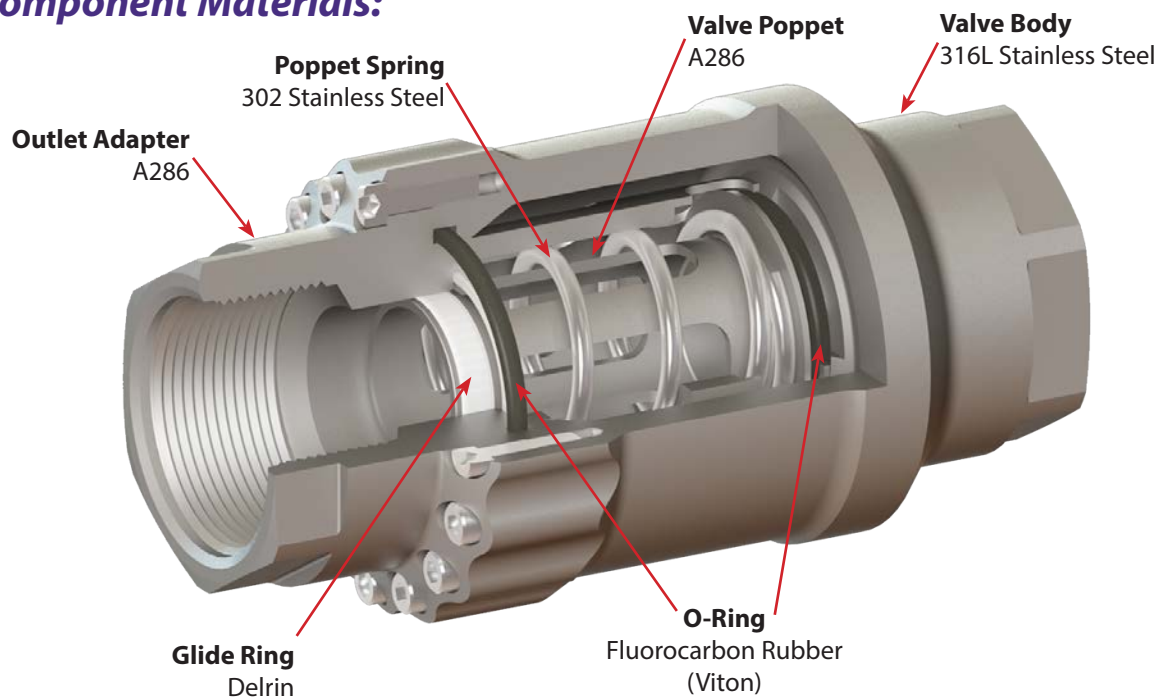
*Designed to meet customers' specification, this check valve is made with an A286 poppet and adapter for increased durability during demanding system flows. This ambient valve is excellent for high flow applications. Made in USA.*

### Specifications:

- Operating Pressure 2500 psig max.
- Proof Pressure 3125 psig
- Burst Pressure 5000 psig
- Cracking Pressure 8 psi max.
- Operating Temperatures -15 °F to +400 °F

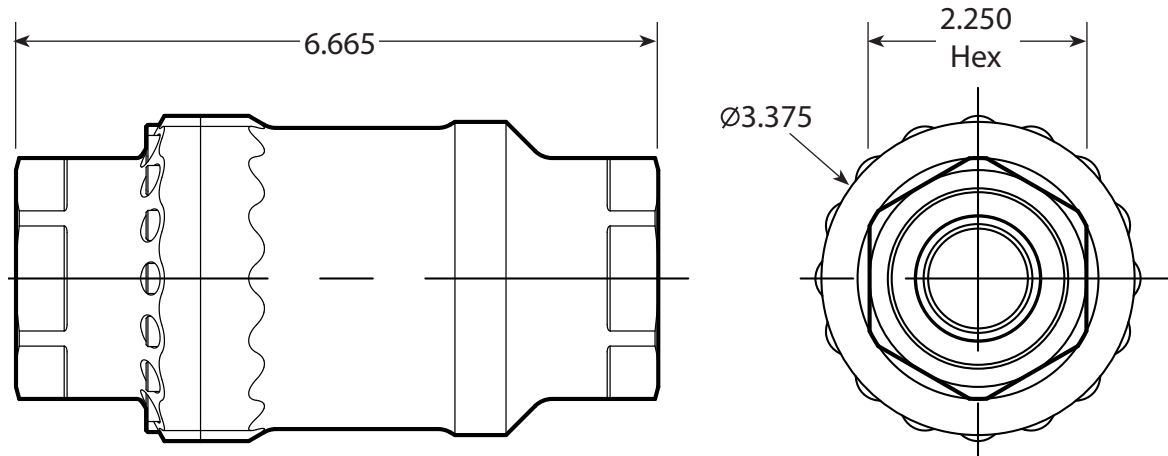


### Component Materials:



## 1½" Check Valve - Model 14007

### *Dimensions:*



### *Ordering Information:*

1½ " Check valve for ambient service

**14007000**