

1½" Cryogenic Check Valve - Model 13010

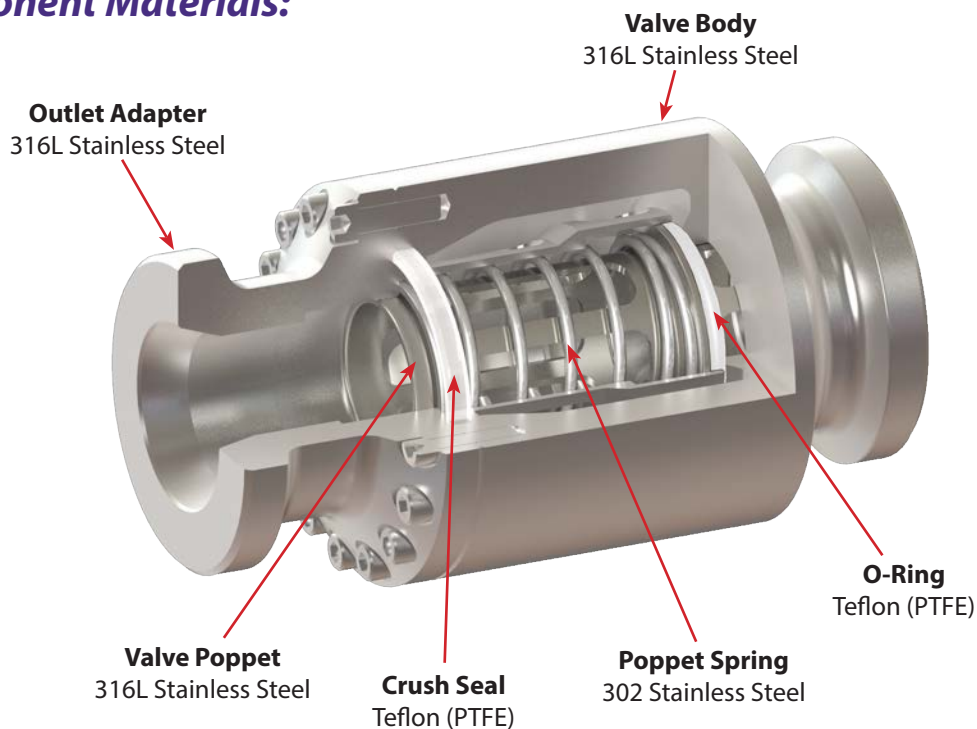
This high flow check valve can be used in both cryogenic and ambient applications. This valve is an excellent example of Precision Fluid Controls' design flexibility and ability to fulfill customer requirements. Made in USA.

Specifications:

- Operating Pressure 3650 psig max.
- Proof Pressure 5475 psig
- Burst Pressure 11000 psig
- Cracking Pressure 8 psi max.
- Operating Temperatures -420 °F to +150 °F
- Flow Coefficient (C_v) 39 min.
- Weight 13 lbs.

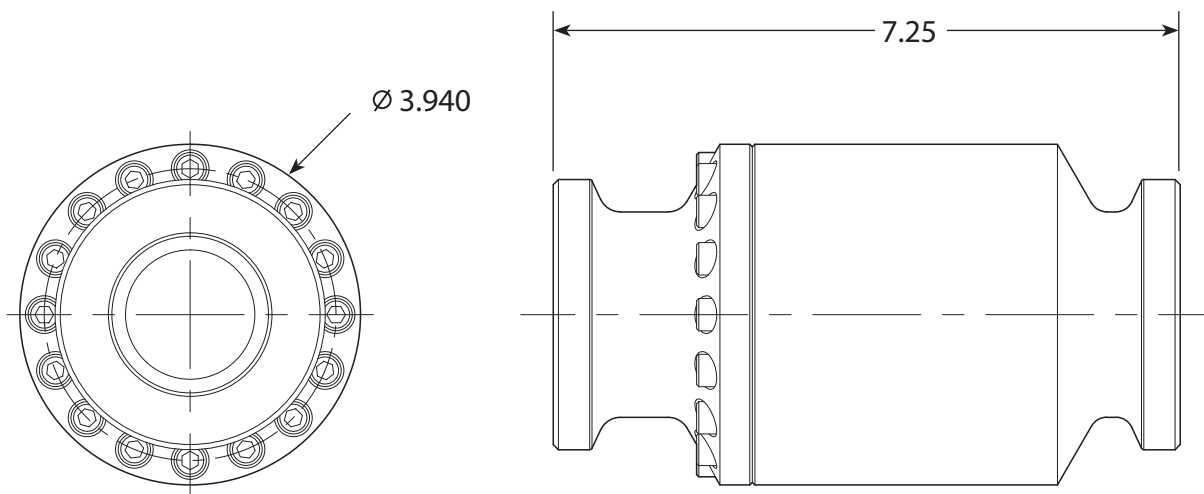


Component Materials:



1½" Cryogenic Check Valve - Model 13010

Dimensions:



Ordering Information:

1½" Check valve for cryogenic service

13010000