

## 2" Check Valve - Model 13009

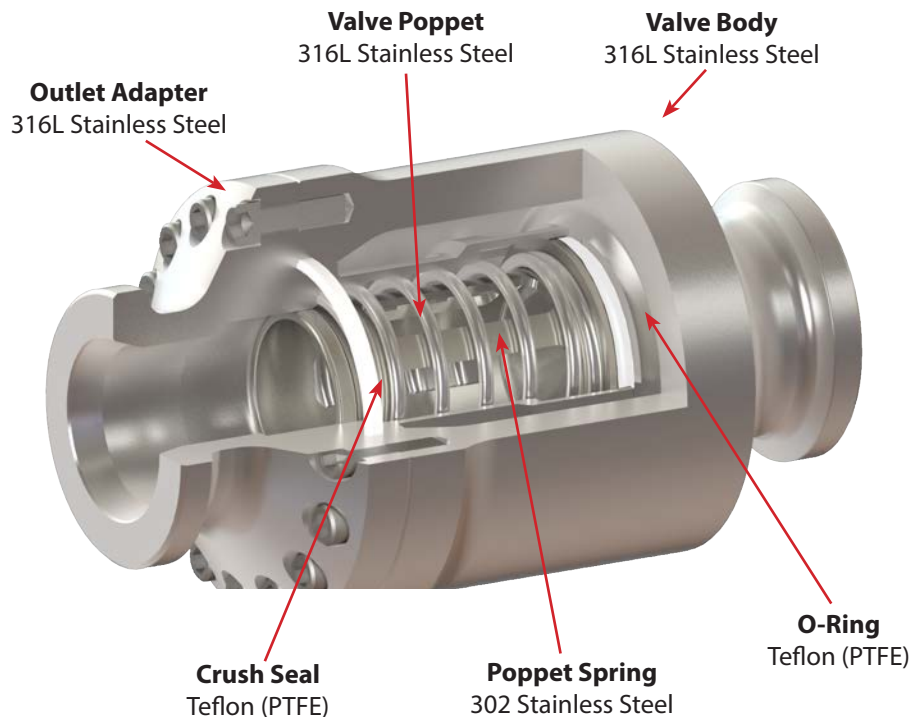
*Designed for both cryogenic and ambient applications, this high flow check valve is an excellent, rugged choice for systems under 4000 psi. Made in USA.*

### Specifications:

- Operating Pressure 3650 psi max.
- Proof Pressure 5475 psig
- Burst Pressure 11000 psig
- Cracking Pressure 8 psi max.
- Operating Temperatures -420 °F to +150 °F
- Flow Coefficient ( $C_v$ ) 65 min.
- Weight 35 lbs.

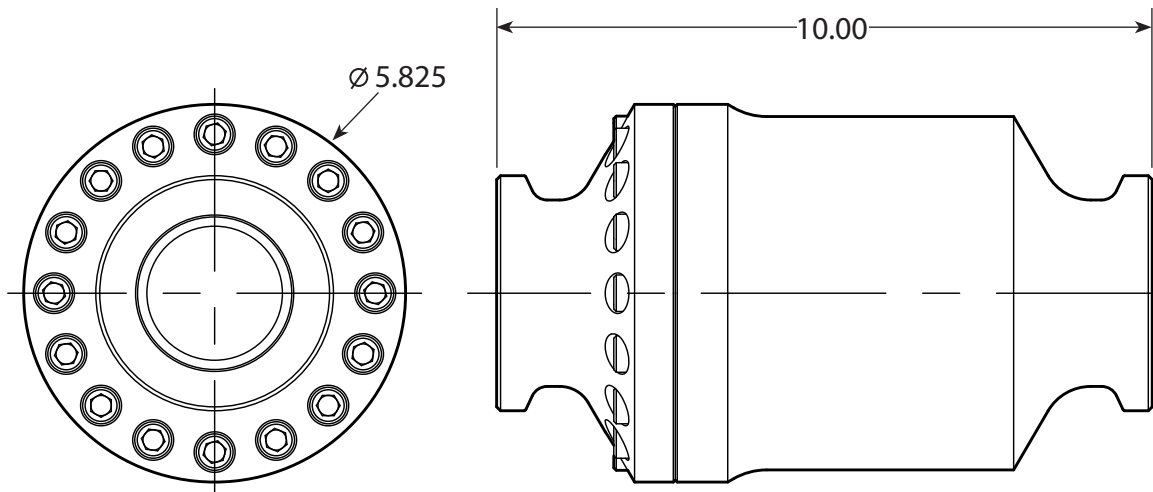


### Component Materials:



## 2" Check Valve - Model 13009

### Dimensions:



### Ordering Information:

2" Check valve for cryogenic service

**13009000**