

2" Check Valve - Model 14026

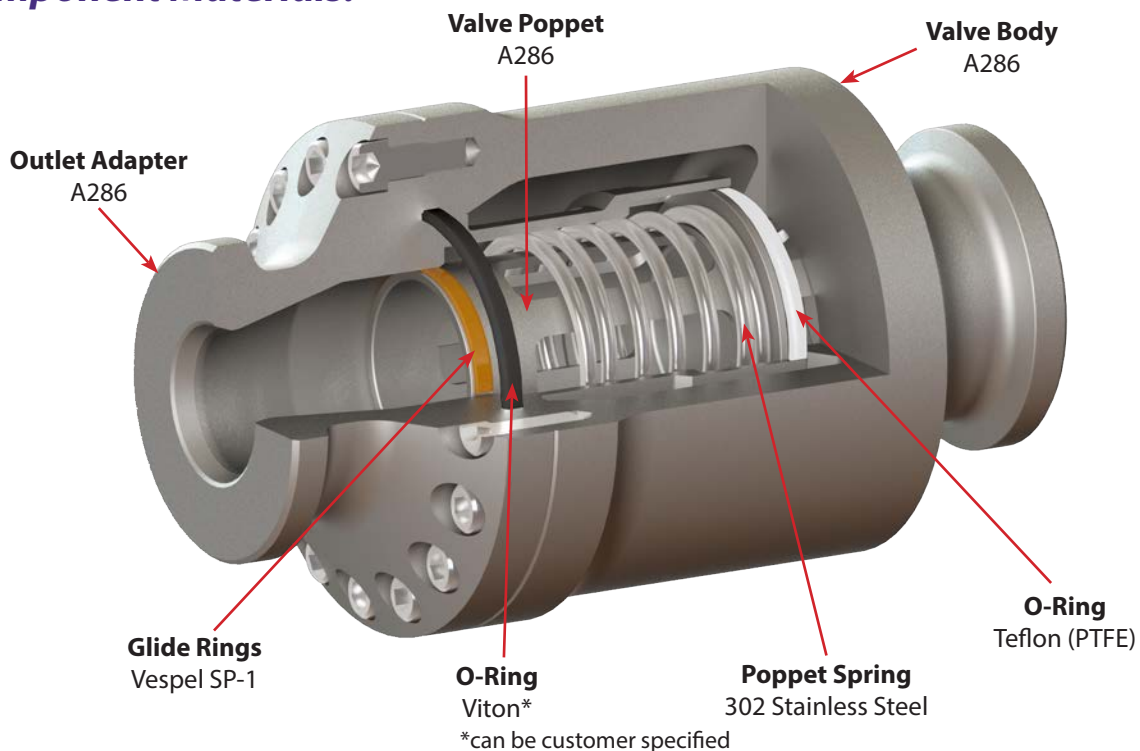
This high flow check valve is designed for rugged applications and smooth operation. Made from A286 SST construction with Vespel and PTFE soft goods, this valve is very durable for the most demanding systems. Made in USA.

Specifications:

- Operating Pressure 6000 psig max.
- Proof Pressure 9000 psig
- Burst Pressure 24000 psig
- Cracking Pressure 8 psi max.
- Operating Temperatures -15 °F to +250 °F
- Flow Coefficient (C_v) 65 min.
- Weight 35 lbs.
- End Connections 2GR14

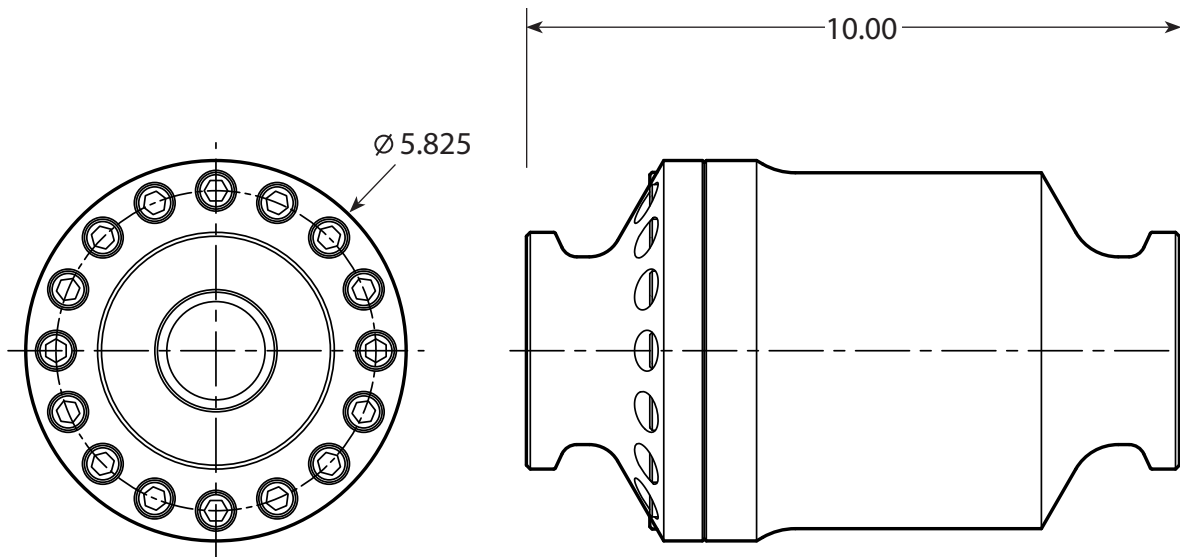


Component Materials:



2" Check Valve - Model 14026

Dimensions:



Ordering Information:

2" Check valve for cryogenic service

14026001