

4" Check Valve - Model 11018

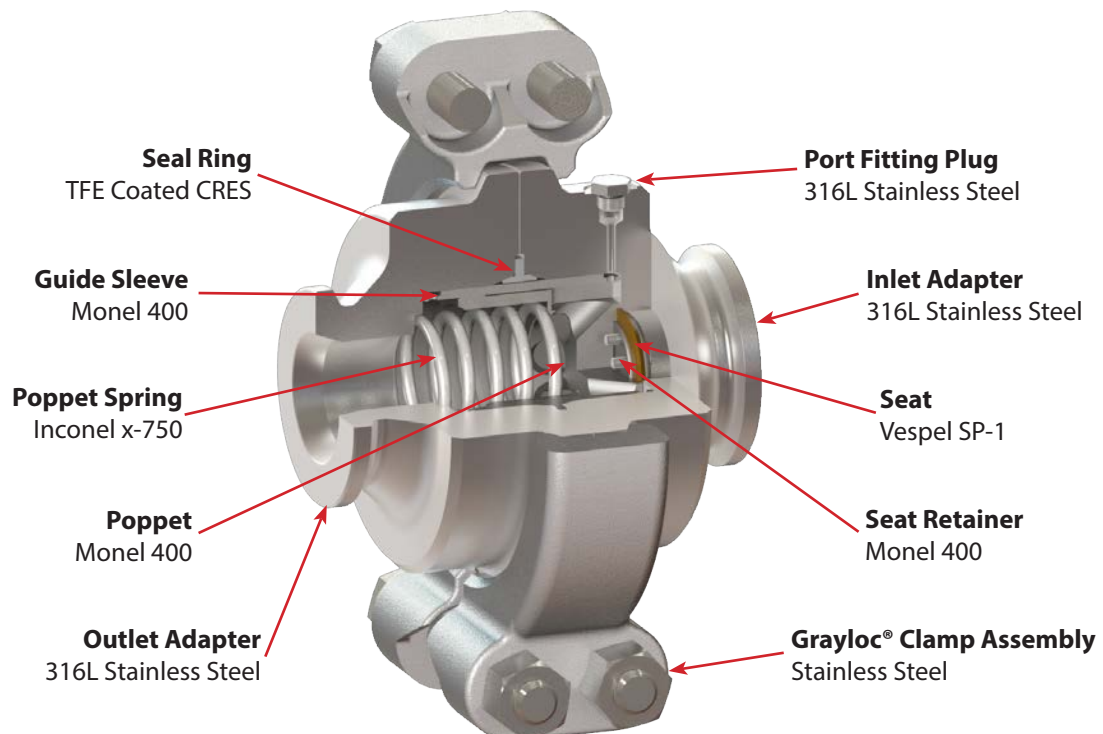
This rugged check valve is designed for cryogenic and ambient applications. It is an excellent high pressure, high flow ground valve. It incorporates Monel 400 and Vespel SP-1 for compatibility with LOX applications. Made in USA.

Specifications:

| | |
|--------------------------------------|--------------------|
| • Connections | Grayloc® 4GR31 |
| • Operating Pressure | 6000 psi max. |
| • Proof Pressure | 1.5x max. working |
| • Burst Pressure | 4x max. working |
| • Cracking Pressure | 8 psi max. |
| • Operating Temperatures | -320 °F to +250 °F |
| • Flow Coefficient (C _v) | 143 min. |
| • Weight | 280 lbs. |
| • Fluid Media | Liquid Oxygen |

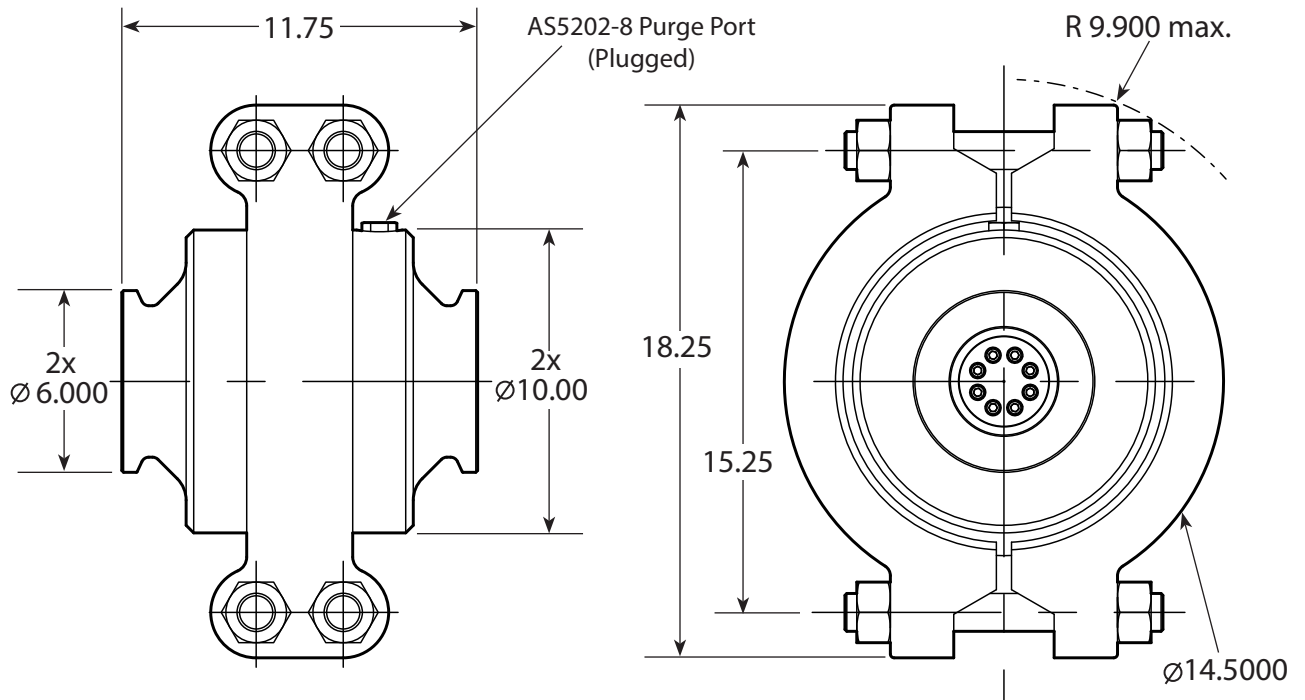


Component Materials:



4" Check Valve - Model 11018

Dimensions:



Ordering Information:

4" Check valve for cryogenic service

11018000