

Low Temperature 1/4" Relief Valve - Model 10030

*This relief valve is for use in low temperature applications, the cracking pressure is factory preset and locked. The in-line design has a high flow capacity and excellent crack and reseal performance.
Made in USA.*

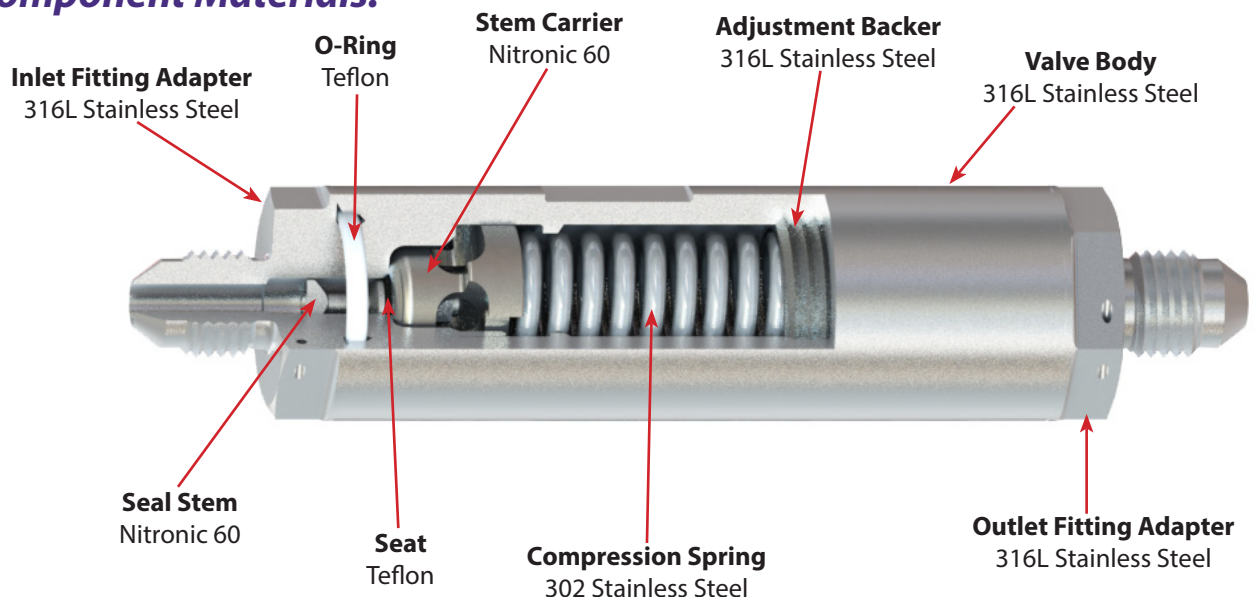


Specifications:

10030

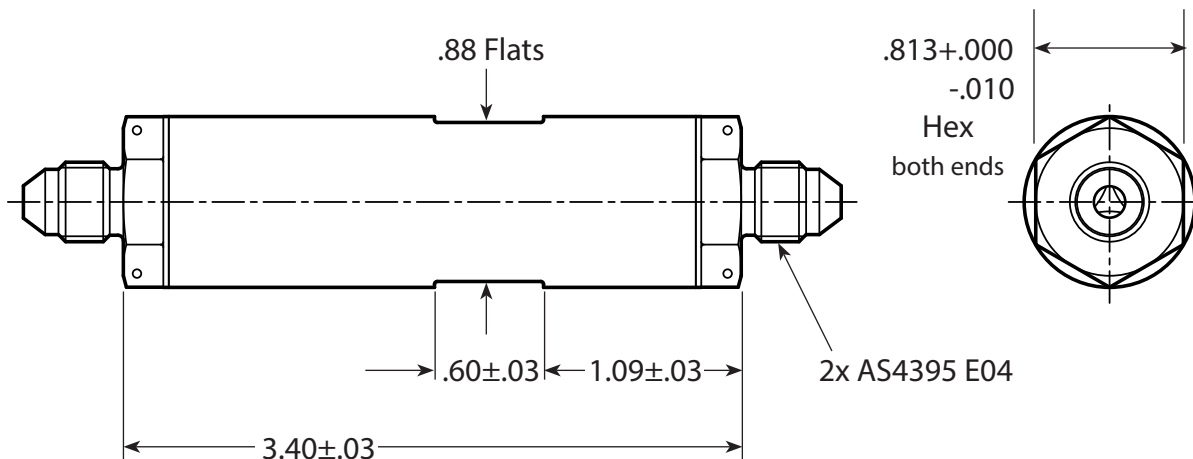
- Inlet/Outlet Connections AS4395
- Operating Pressure Range 2300 psig max
- Proof Pressure 3450 psig
- Burst Pressure 5750 psig
- Fluid Media Various gases
- Temperature Range -320 °F to +100 °F
- Cracking Pressure 100 ±5% psig @ 10 SCCM GN2
- Reseat Pressure >= 80 psig @ 5 SCCM GN2

Component Materials:



Low Temperature 1/4" Relief Valve - Model 10030

Dimensions:



Ordering Information:

Relief Valve for cold gases

10030000