

## 4" Check Valve - Model 9004

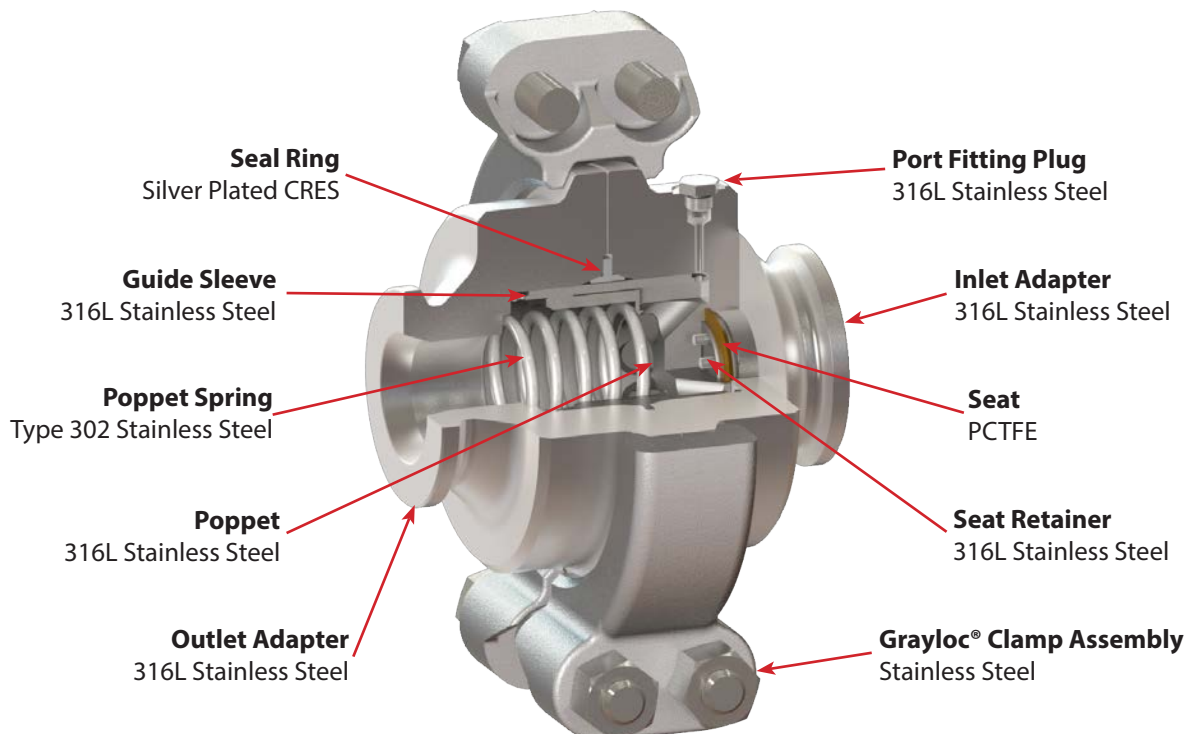
*This rugged check valve is designed for cryogenic and ambient applications. It is an excellent high pressure, high flow valve for ground applications. Made in USA.*

### Specifications:

• Connections	Grayloc® 4GR34
• Operating Pressure	4000 psi max.
• Proof Pressure	1.5x max. working
• Burst Pressure	4x max. working
• Cracking Pressure	8 psi max.
• Operating Temperatures	-320 °F to +250 °F
• Flow Coefficient (C <sub>v</sub> )	143 min.
• Weight	160 lbs.
• Fluid Media	LN2 and cold gases

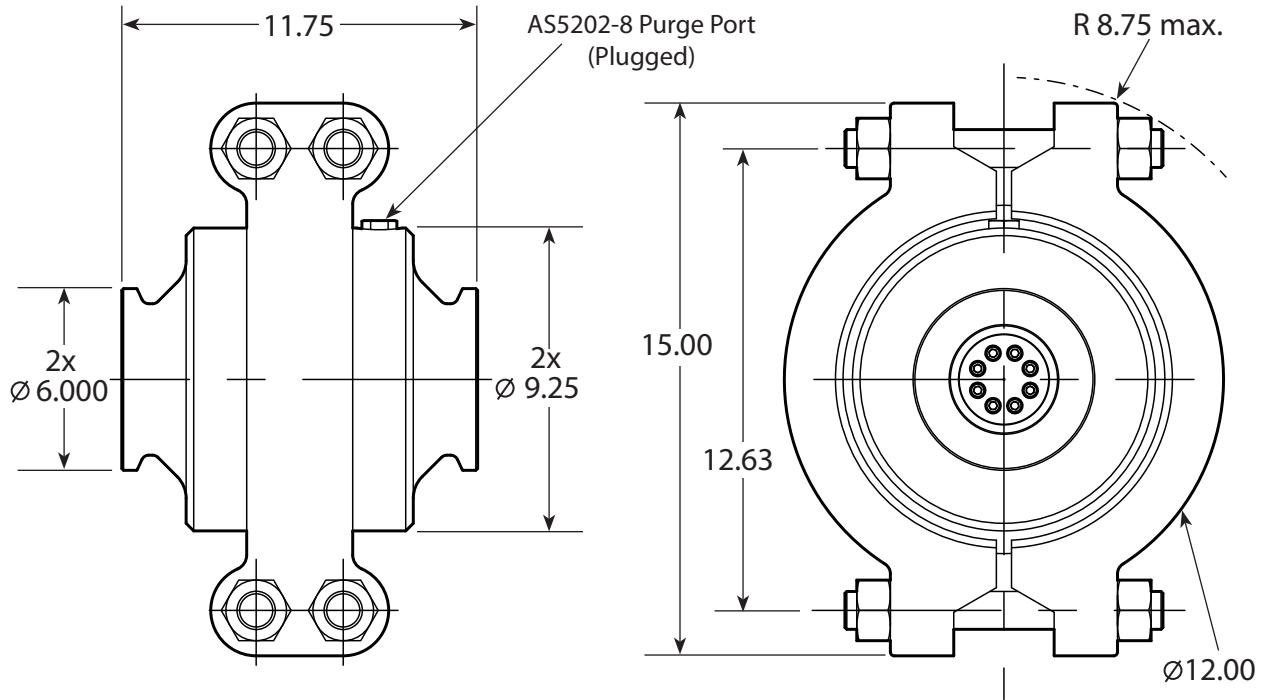


### Component Materials:



## 4" Check Valve - Model 9004

### Dimensions:



### Ordering Information:

4" Check valve for ambient service

**09004000**