

## Ambient/Cryogenic Check Valve Series - Model 9011

The Model 9011 Series of check valves is a robust valve design for use in both ambient and cryogenic applications. This valve is excellent for high pressure, high flow installations and is available with a myriad of end connections to suit most any application. Made in USA.

### Specifications:

- Operating Pressure 6000 psig
- Proof Pressure 9000 psig
- Burst Pressure 24,000 psig
- Operating Temperatures See **Ordering Information**
- Leakage, External Zero (Bubble Tight)
- Leakage, Internal Soft Seals : Zero  
Teflon: 5 cc/min max 0-50 psig  
.5 cc/min max 50+ psig



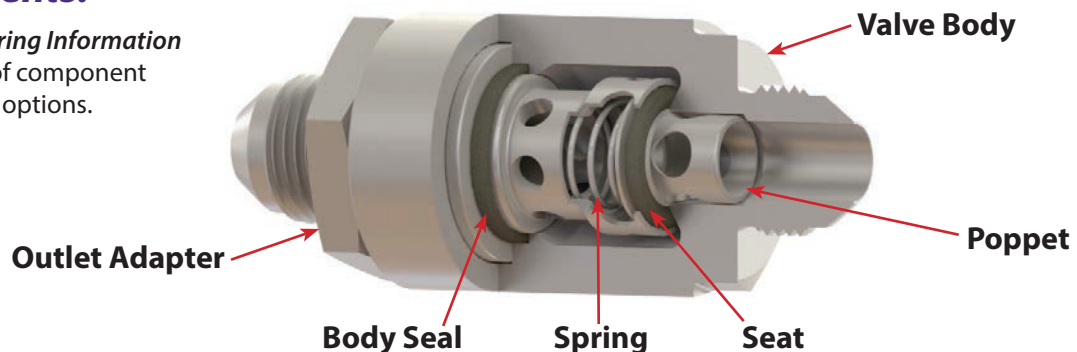
Seat material, hub/ring size and service temperature may limit maximum valve working pressure.

Line Size	Flow Coefficient (C <sub>v</sub> )			Weight (lbm)		
	AS5202	AS4395	Grayloc®	AS5202	AS4395	Grayloc®
04	.45	.50	N/A	.35	.34	N/A
06	1.6	1.6	N/A	.70	.65	N/A
08	2.4	2.4	N/A	.70	.78	N/A
12	4.1	4.1	4.1	4.5	3.9	4.6
16	7.0	7.0	7.0	6.0	5.2	5.4
24	21	21	21	10.0	8.8	11.0
32	39	39	39	23.3	19.8	23.2

Cracking Pressure			
Mat'l Code	Material	Standard Cracking Pressure	Cracking Pressure Range
B	Nitrile (Buna-N)	3	.5-4
		8	3-8
V	Fluoroelastomer (Viton)	3	.5-4
		8	3-8
E	Ethylene Propylene (EPR)	3	.5-4
		8	3-8
T	Teflon (PTFE)	8	3-8
C	Teflon, Cryogenic (PTFE)	8	3-8

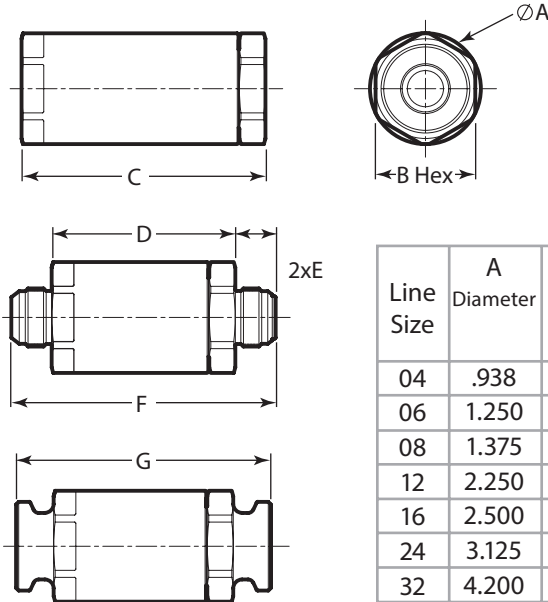
### Components:

See **Ordering Information** for a list of component materials options.



# Ambient/ Cryogenic Check Valve Series - Model 9011

## Dimensions:



Line Size	A Diameter	B Hex	C AS5202	D AS4395 AS1098 AS4320	E AS4395 AS1098	F AS4395 AS1098	G Grayloc®	Grayloc® Seal Ring
04	.938	.813	2.250	1.850	.550	2.950	n/a	n/a
06	1.250	1.125	2.625	2.140	.556	3.250	n/a	n/a
08	1.375	1.188	2.800	2.100	.657	3.415	n/a	n/a
12	2.250	2.000	4.895	3.780	.864	5.500	5.500	05
16	2.500	2.250	5.375	4.140	.911	5.965	6.000	07
24	3.125	2.750	6.665	5.165	1.083	7.330	7.605	14
32	4.200	3.750	8.700	6.620	1.333	9.285	9.750	14

## Ordering Information:

### 9011 B V - 08 T T N - 3

#### Basic Series

#### Body / Poppet Material

- B 316L Stainless Steel Cond. A / 316L Stainless Steel Cond. A
- D 316L Stainless Steel Cond. B / 316L Stainless Steel Cond. A (up to 1/2" Line Size only)
- M Monel 400 / Monel 400
- N Nitronic 60 / 316L Stainless Steel Cond. A

#### Seals

- B Nitrile (Buna-N) -40°F to +275°F \*
- V Fluoroelastomer (Viton) -15°F to +400°F
- E Ethylene Propylene (EPR) -65°F to +230°F
- T Teflon (PTFE) -100°F to +400°F
- C Cryogenic Teflon (PTFE) -420°F to +150°F

\*Operating temperature range may be dependant on application.

#### Line Size

- 04 1/4"
- 06 3/8"
- 08 1/2"
- 12 3/4"
- 16 1"
- 24 1 1/2"
- 32 2"

**Cracking Pressure**  
See chart on front

#### Safety Wire Holes

- N Not Required
- L Required

#### Outlet Port Type

- T Female Tube per AS5202
- S Male Tube Per AS4395
- K Male Tube/Seal Ring per AS1098
- J Male Straight Thread per AS4320
- G Grayloc®

#### Inlet Port Type

- T Female Tube per AS5202
- S Male Tube Per AS4395
- K Male Tube/Seal Ring per AS1098
- J Male Straight Thread per AS4320
- GXX Grayloc®
- XX (see table for Seal Ring)

## Ordering Repair Kits:

### 9011 - B 08 - RK

#### Basic Series

#### Seals

#### Line Size