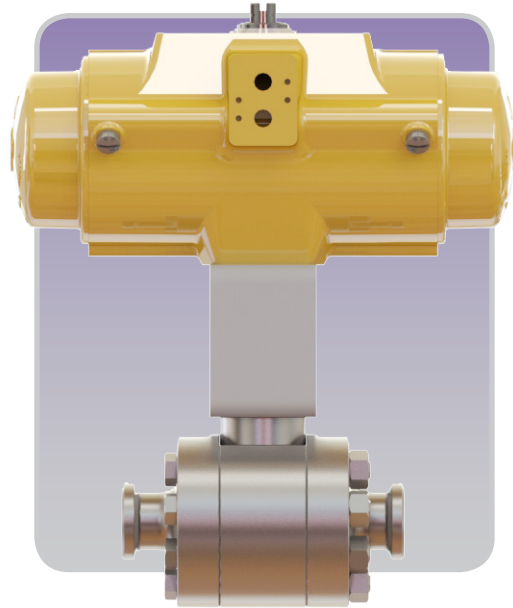


Cryogenic Ball Valve - Model 9010

Designed for cold applications including liquid Oxygen (LOX), liquid Nitrogen, liquid Hydrogen and others—these pneumatically actuated valves provide excellent, long lasting service.
Made in USA.



Specifications:

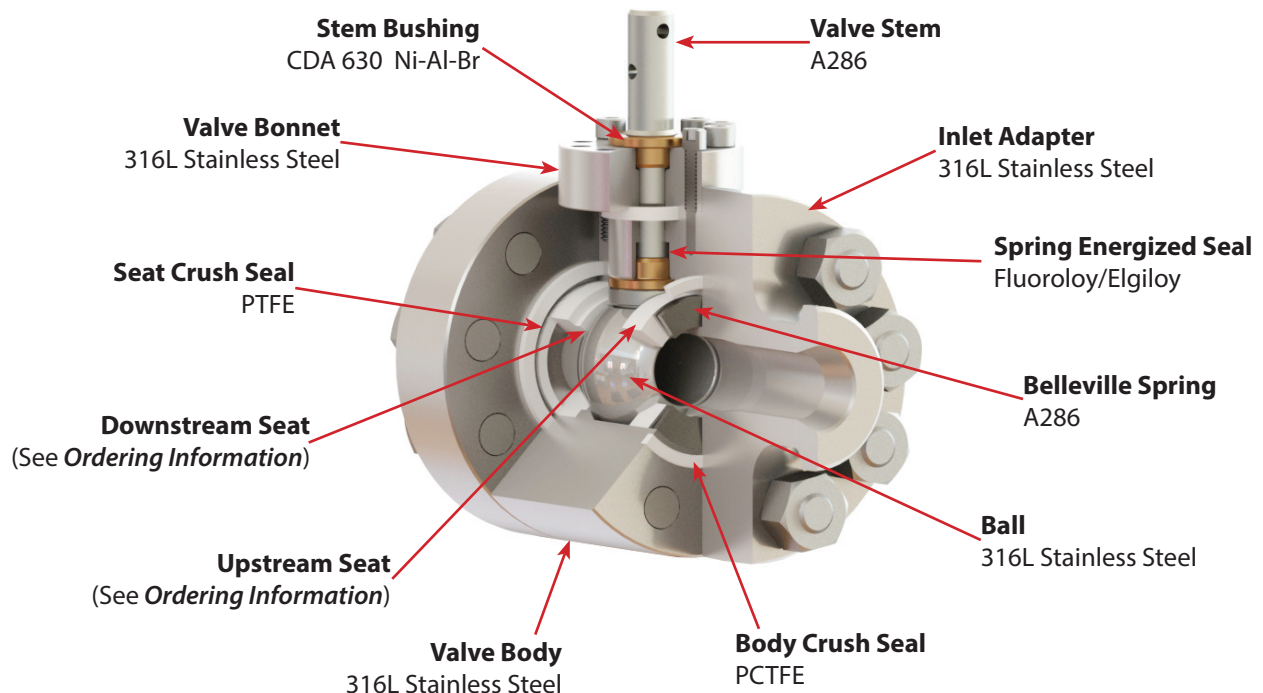
- Operating Pressure 6000 psig*
- Proof Pressure 9000 psig
- Burst Pressure 24,000 psig
- Operating Temperatures -420°F to +250°F

Line Size	C _v (min.)	Weight (lb)**	Waterway Size ±.01
12	18	10	.622
16	31	22	.875

* Valve body pressure rating is 6000 psig. Seat material, hub/ring size and service temperature may limit maximum valve working pressure.

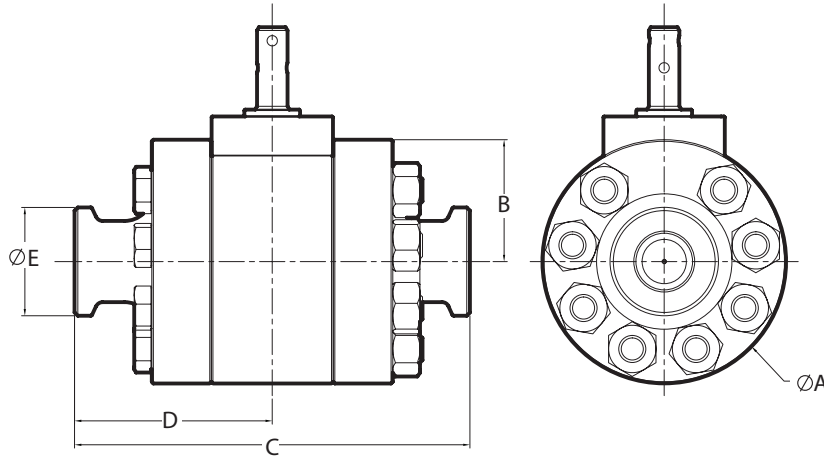
**Weight of bare stem valve with Grayloc® Hubs

Component Materials:



Cryogenic Ball Valve - Model 9010

Dimensions:



Dimensions with Grayloc® Hubs							
Line Size	Hub Size	Seal Ring	ØA ±.03	B ±.03	C ±.06	D ±.03	ØE ±.005
12	1GR5	05	3.50	1.75	6.25	3.13	2.000
16	1GR7	07	4.50	2.25	7.30	3.65	2.000

Ordering Information:

9010 - K 16 G07 -2

Basic Series

Seat

- K PCTFE -420°F to +250°F
- V Vespel SP-21 -420°F to +250°F

Line Size

- 12 ¾"
- 16 1"

For additional line sizes, contact the factory.

Operator

- 0 Lever
- 2 Actuator Pneumatic, Double Acting
- 3 Actuator Pneumatic, Spring Return, Fail Close
- 4 Actuator Pneumatic, Spring Return, Fail Open

End Connections

- T Female Tube per AS5202
- GXX Grayloc®
- XX (see table for Seal Ring)

For additional end connections, contact the factory.

Ordering Repair Kits:

9010 - K 16 - RK

Basic Series

Seat Material

Line Size