

3/4" Relief Valve - Model 13022

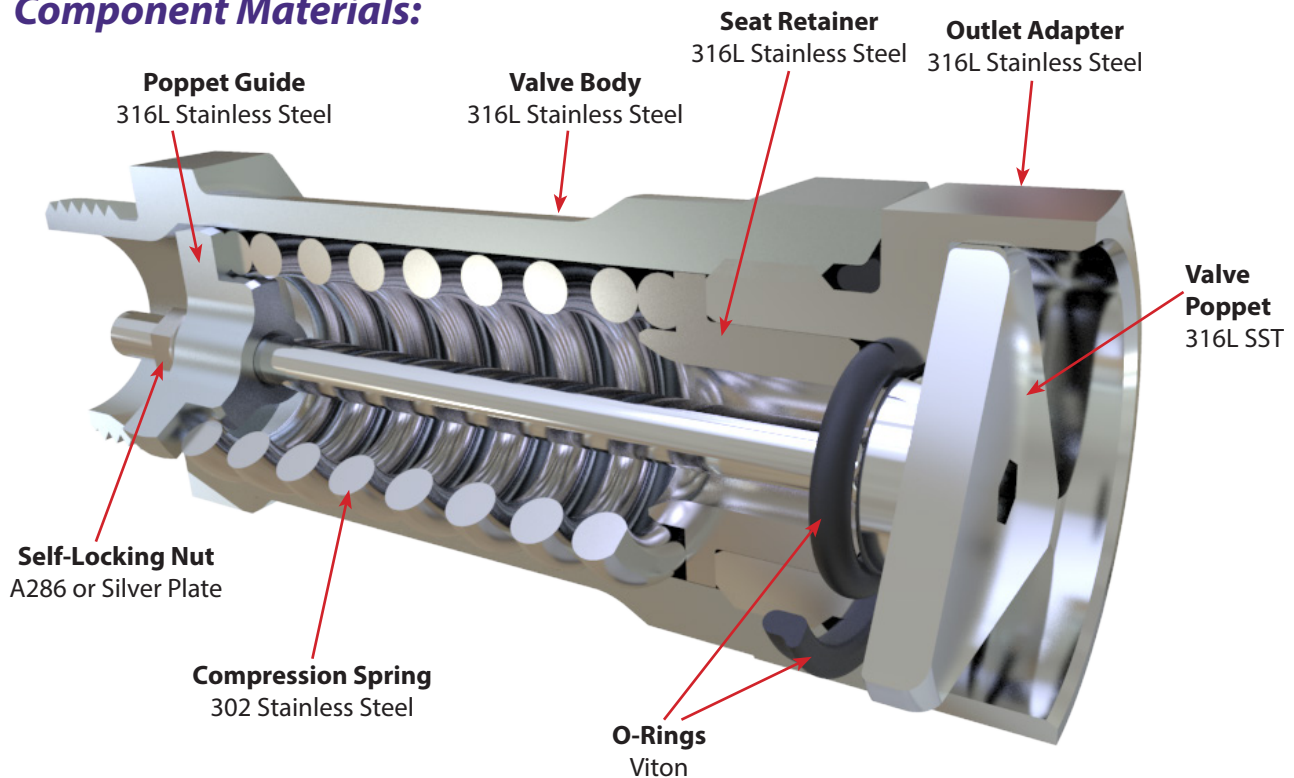
This 3/4" pop off relief valve is available for ambient applications. The cracking pressure is pre-set by the factory and this rugged valve is designed for high flow capacity. Made in USA.



Specifications:

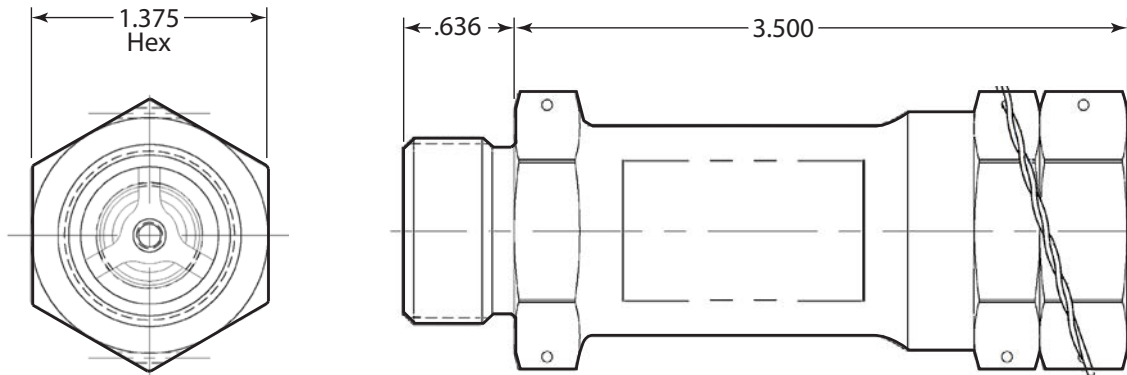
- Inlet Connection AS4320-12
- Operating Pressure Range 0 to 400 psig max
- Proof Pressure 600 psig
- Burst Pressure 1000 psig
- Fluid Media Gases
- Temperature Range -15 °F to +250 °F
- Cracking Pressure 200 ±5% psig @ 5 SCCM air
- Reseat Pressure 90% of Cracking Pressure or greater

Component Materials:



3/4" Relief Valve - Model 13022

Dimensions:



Ordering Information:

Relief Valve for 3/4" Line Size

13022000