

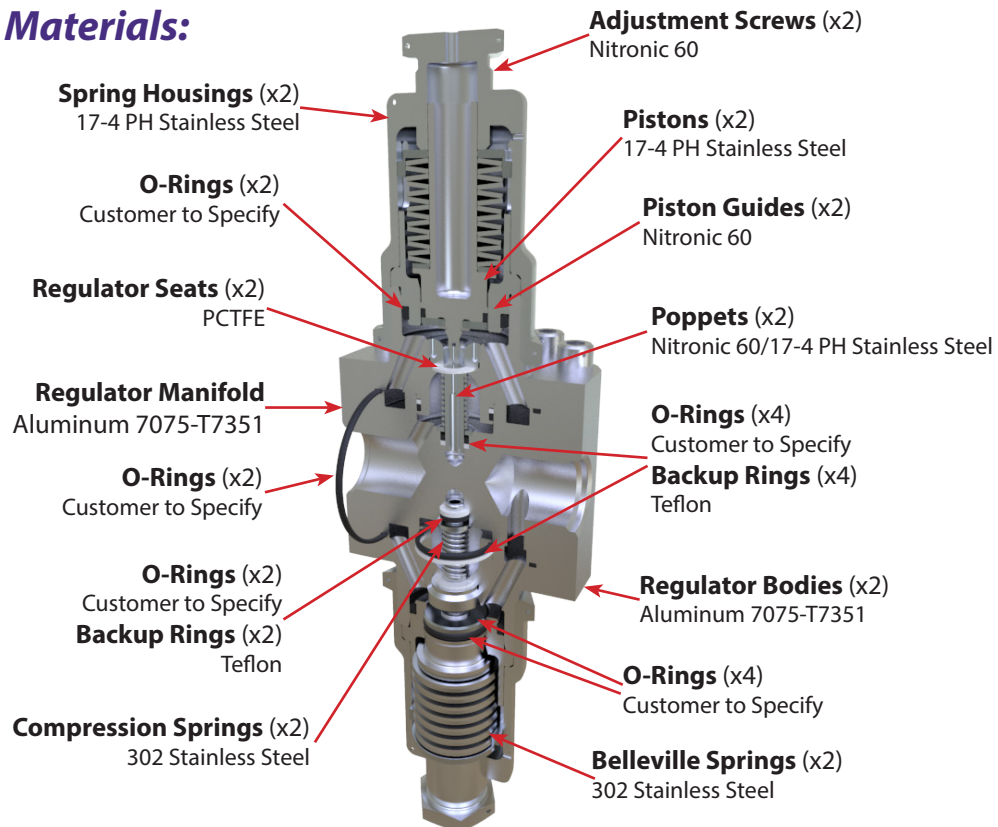
Two-Stage Pressure Reducing Regulators - Models 8010 & 9036

These two stage regulator precisely regulate inlet pressure while maintaining a constant outlet pressure. The first stage regulates the inlet pressure to an intermediate stage then passes the fluid through to the second stage, automatically compensating for any outlet pressure rise from inlet pressure decay. Made in USA



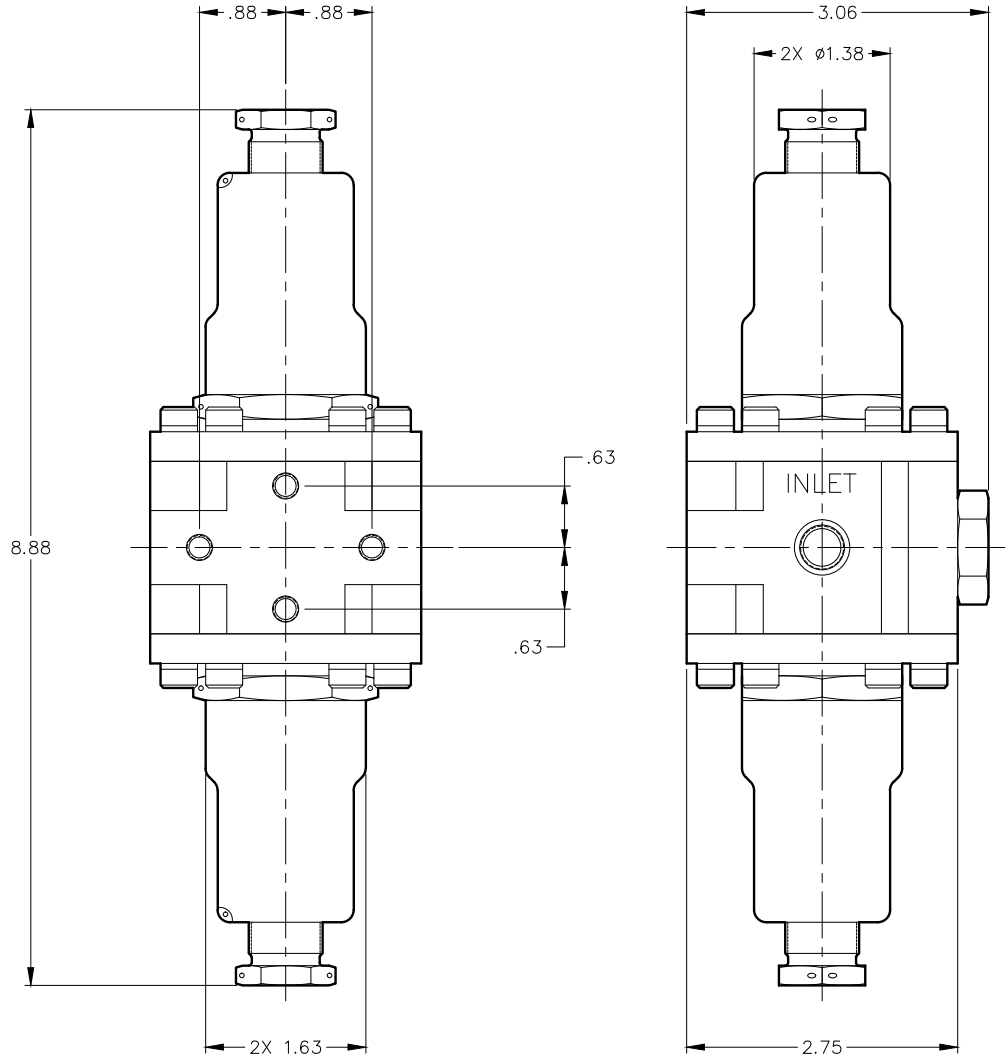
Specifications:	8010	9036
• Flow Coefficient	Cv = .1 min	Cv = .26
• Pressures	Inlet MEOP 3600 psia max	4400 psia max
	Outlet See Ordering Info	300 to 600 psia
	Proof 1.2 x max working	1.2 x max working
	Burst 2x max working	2x max working
• Fluid Media	Various Gases	Various Gases
• Operating Temps	-40°F to +180°F	-40°F to +160°F
• Leakage - Int/External	Bubble Tight	Bubble Tight
• Weight	2.8 pounds	2.8 pounds
• Line Regulation	2.07 psi rise/100 psi inlet decay/stage	1.44 psi rise/100 psi inlet decay/stage

Component Materials:



Two-Stage Pressure Reducing Regulators - Models 8010 & 9036

Dimensions:



Ordering Information:

Order if you need Cv of .1 and MEOP of 3600 psia

08010000

Order if you need Cv of .26 and MEOP of 4400 psia

9036-1

Basic Series

Outlet Range (psig)

Blank First Stage Range 200-700 - Second Stage Range 300-700

-1 First Stage Range 700-1200 - Second Stage Range 300-700