

1/4" Flow Control Needle Valve - Model 7012

This flow control valve allows for the gradual adjustment of flow through a system. The number of turns determines the amount of flow allowed through the orifice. Made in USA.

Specifications:

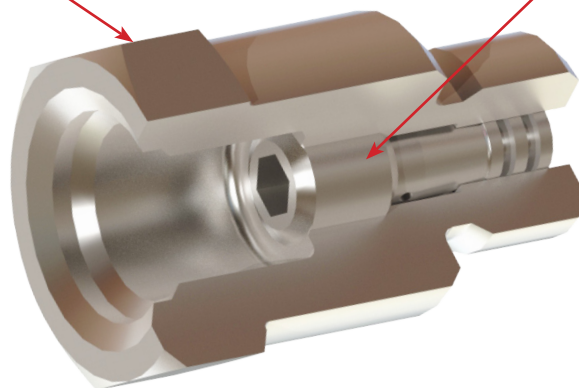
- Inlet Connections 1/4" Male Tube per AS4320
- Outlet Connections 1/4" Female Tube per AS5202
- Operating Pressure 3000 psig max
- Proof Pressure 4500 psig
- Burst Pressure 7500 psi max
- Operating Temperatures -60 °F to +250 °F



Component Materials:

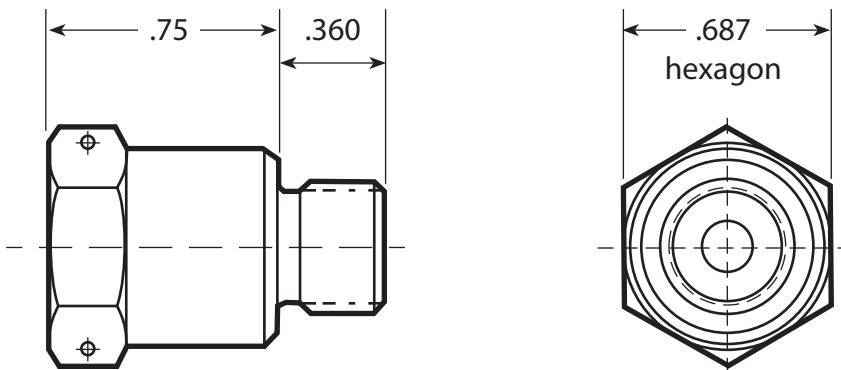
Valve Body
316L Stainless Steel

Control Needle
316L Stainless Steel

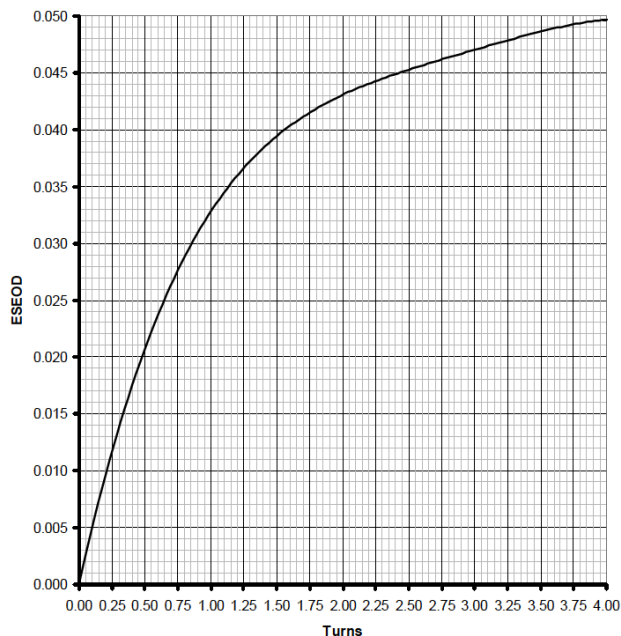


1/4" Flow Control Needle Valve - Model 7012

Dimensions:



Needle Valve Typical Metering Characteristics:



Ordering Information:

Flow Control Needle Valve

07012000