

Pressure Reducing Regulator - Model 8020

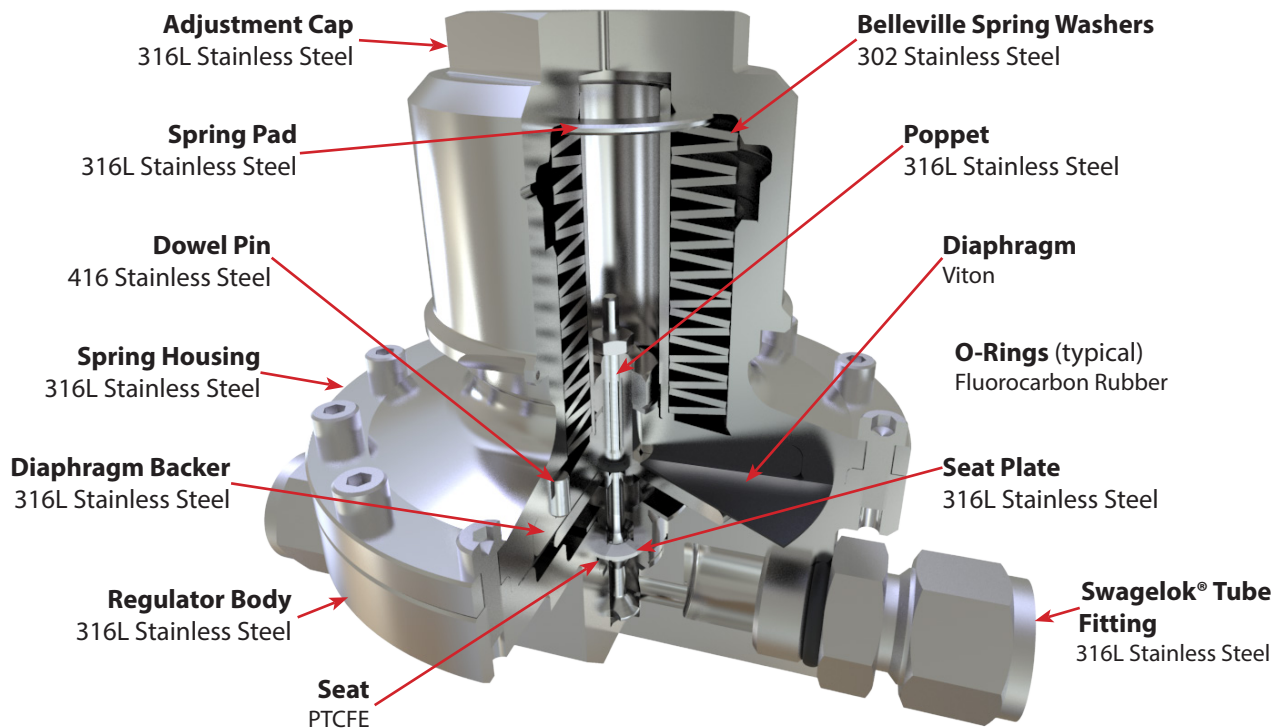
The 8020 pressure reducing regulator is a robust, sensitive regulator designed to reduce pressure from 1000 psi to 5-70 psi. This regulator is light weight, dependable and made from 316 SST, providing maximum corrosion resistance. Made in USA

Specifications:

- Inlet/Outlet Connections Swagelok 1/2" Tube
- Pressures
 - Inlet 1000 psia max
 - Outlet 5 to 70 psia max
 - Proof 1.5 x max working
 - Burst 4x max working
- Fluid Media Gases
- Weight 4.8 pounds
- Operating Temperatures -15°F to +350°F

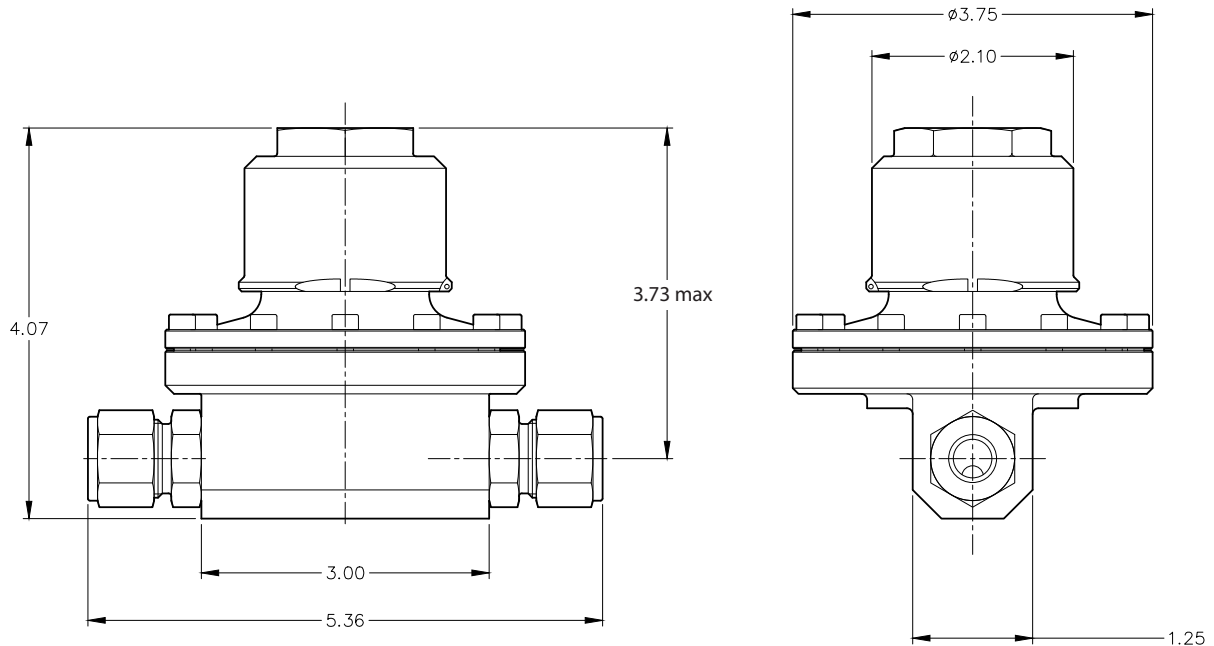


Component Materials:



Pressure Reducing Regulator - Model 8020

Dimensions:



Ordering Information:

08020000