

Miniature Ball Valves - Models 9035 & 9056

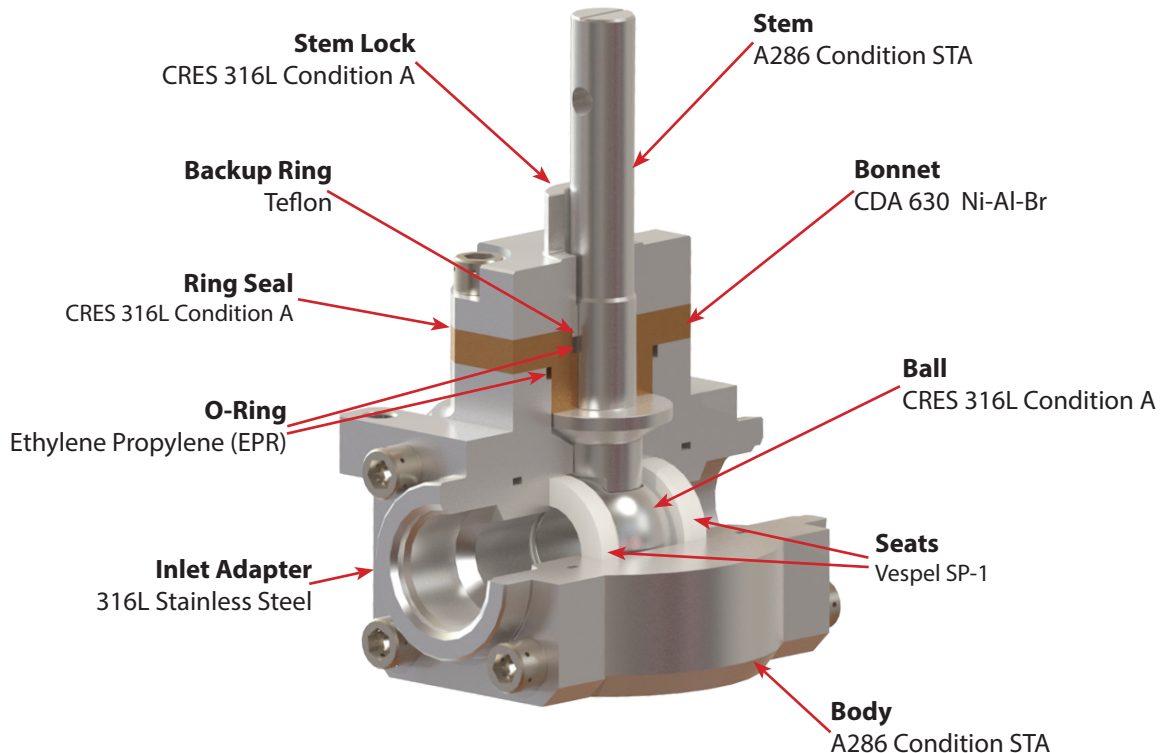
This line of miniature ball valves is bi-directional with AS5202 inlet and outlet ports. Sizes are available from 1/4" to 2" with varying pressure specifications. Constructed from 316SST, these valves are light weight and robust. Made in USA.



Specifications:

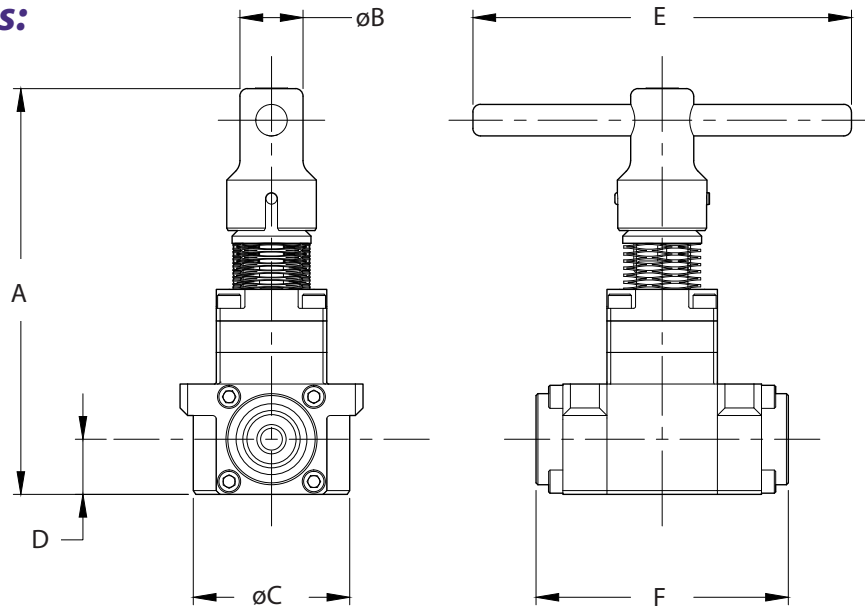
	9035			9056	
	1/4"	1/2"	3/4"	1"	2"
• MEOP psia	4900	3600	3600	1000	1200
• Fluid Media	----- Gases & Liquids -----				
• Min Temp	+0°F	-120°F	-120°F	+32°F	-160°F
• Max Temp	+150°F	+150°F	+150°F	+120°F	+120°F
• Cv min	.47	3.5	14.0	40	169
• Weight lbs	0.6	2.0	9.4	12.75	14.0
• Inlet/Outlet	----- Female Tube (per AS5202) -----				
• Operators	----- Lever -----				

Component Materials:



Miniature Ball Valves - Models 9035 & 9056

Dimensions:



Model	Line Size	A	øB	øC	D	E	F
9035	1/4"	3.22	.050	1.24	.44	3.00	2.00
9035	1/2"	4.288	.725	1.375	.688	4.000	2.875
9035	3/4"	6.013	1.000	2.97	1.05	6.000	4.60
9035	1"	7.125	1.250	3.900	1.375	*	5.00
9056	2"	9.46	1.50	4.50	2.25	*	6.35

*Contact Factory for details

Ordering Information:

9035 - VE04T-H

Basic Series

9035 for 1/4 to 1" line sizes
9056 for 2" line size **

Seat Material

K PCTFE
 V Vespel SP-1

Seals

B Nitrile (Buna-N) -40°F to +275°F ***
 V Fluoroelastomer (Viton) -15°F to +400°F
 E Ethylene Propylene (EPR) -65°F to +230°F

***Operating temperature range may be dependant on application.

Pressure Range

Blank Standard Range (see *Specifications*)
 H High Pressure Range
 (contact Factory for more information)

End Connections

T Tube per AS5202

Line Size

04 1/4"
 08 1/2"
 12 3/4"
 16 1"
 32 2" (**order Model Number **9056**)