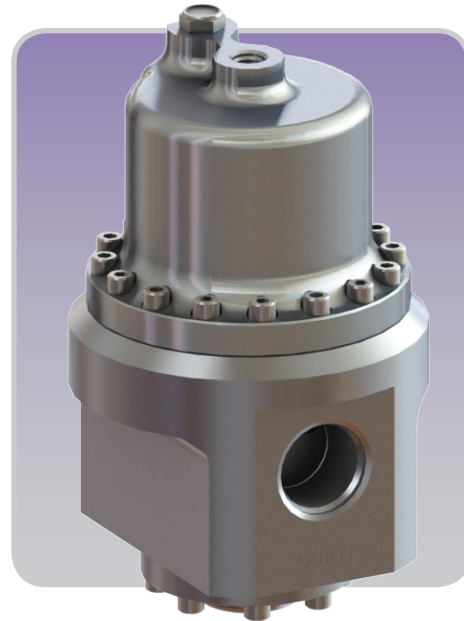


Pressure Reducing Regulator - Model 9037

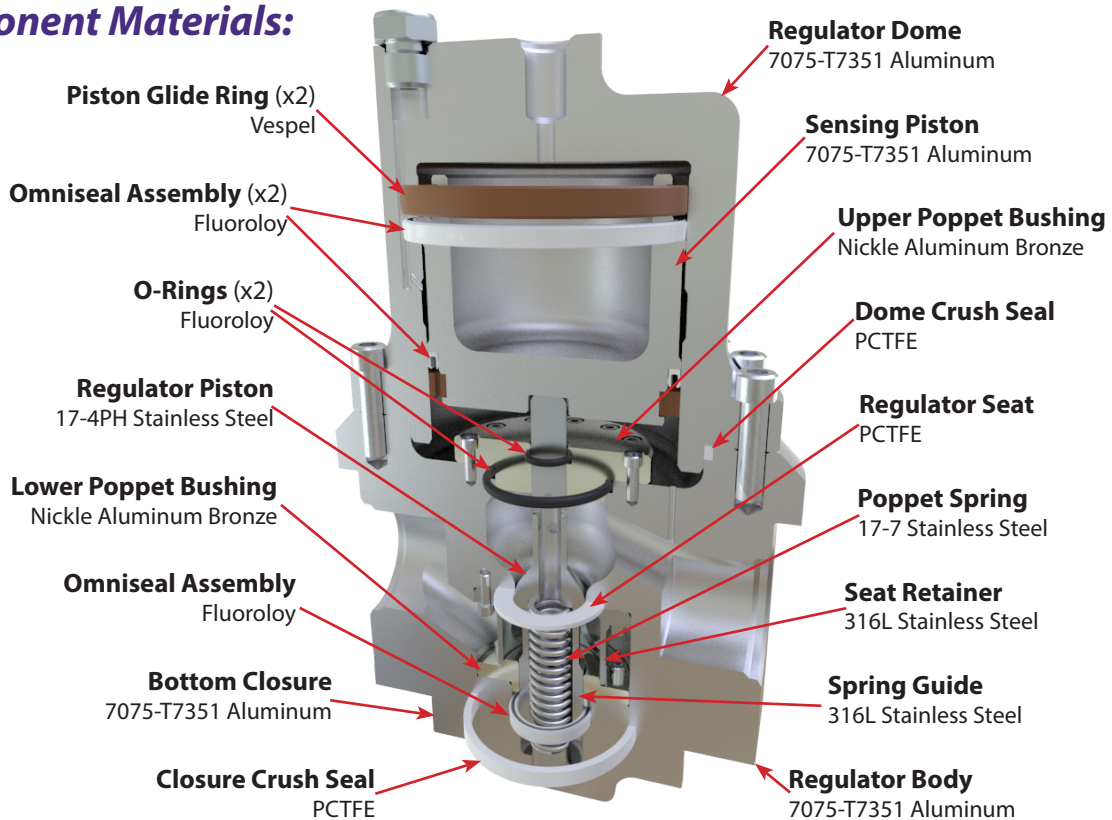
This dome-loaded, pressure reducing regulator is designed for high flow, low temperature applications. This light weight regulator offers rapid response time and reliable, accurate operation. Made in USA

Specifications:

- Flow Coefficient $C_v = 4.5$ minimum
- Pressures Inlet MEOP 3600 psia
 Outlet Setpoint 350, 500 psia
 Outlet Adj Range 0-1000 psia
 Proof Pressure 1.2 x MEOP
 Burst 2 x MEOP min
- Fluid Media Various Gases
- Operating Temperatures -160°F to +180°F
- Weight 8.3 pounds
- Line Regulation 1.3 psi rise per 100 psi inlet decay
- Leakage Bubble Tight external
 10 SCCM max internal

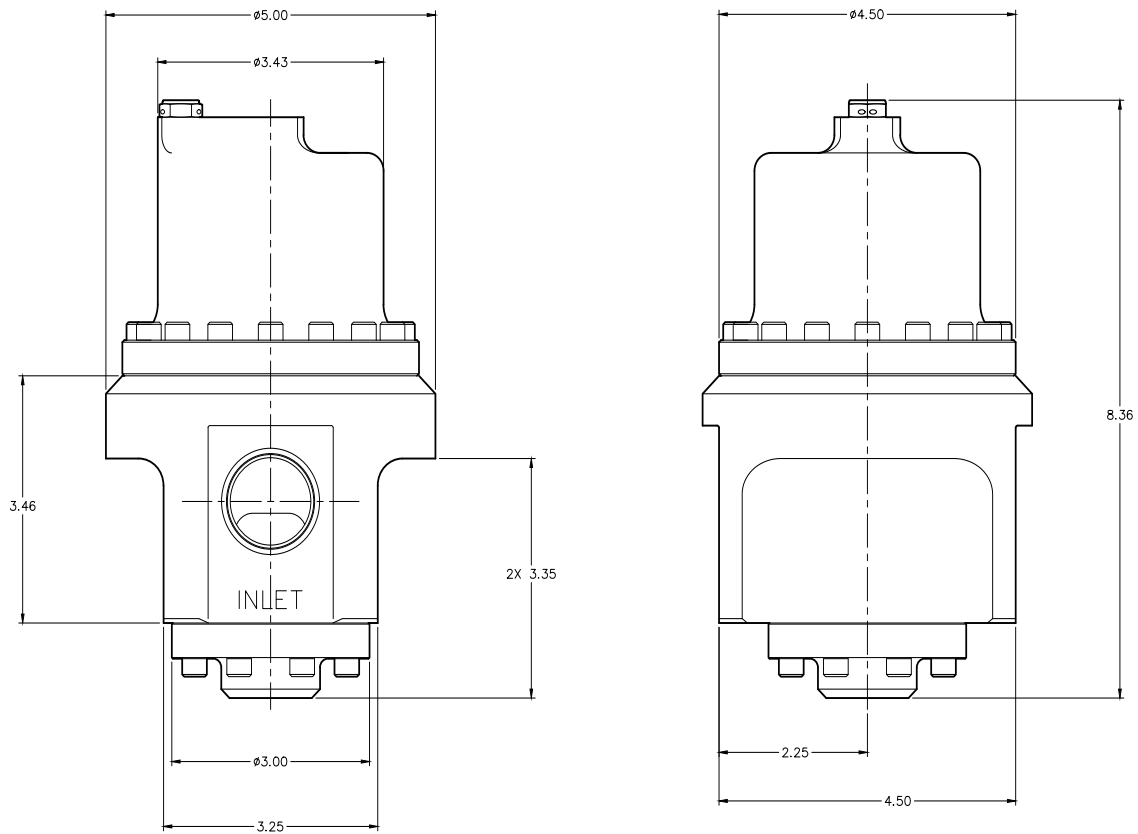


Component Materials:



Pressure Reducing Regulator - Model 9037

Dimensions:



Ordering Information:

09037000