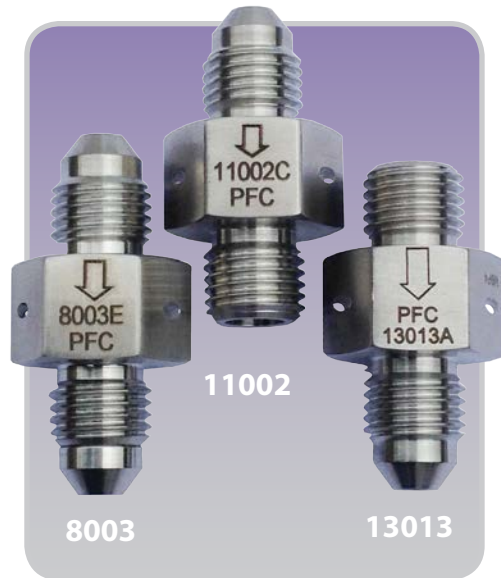


1/4" Miniature Check Valves - Models 8003 & 11002 & 13013

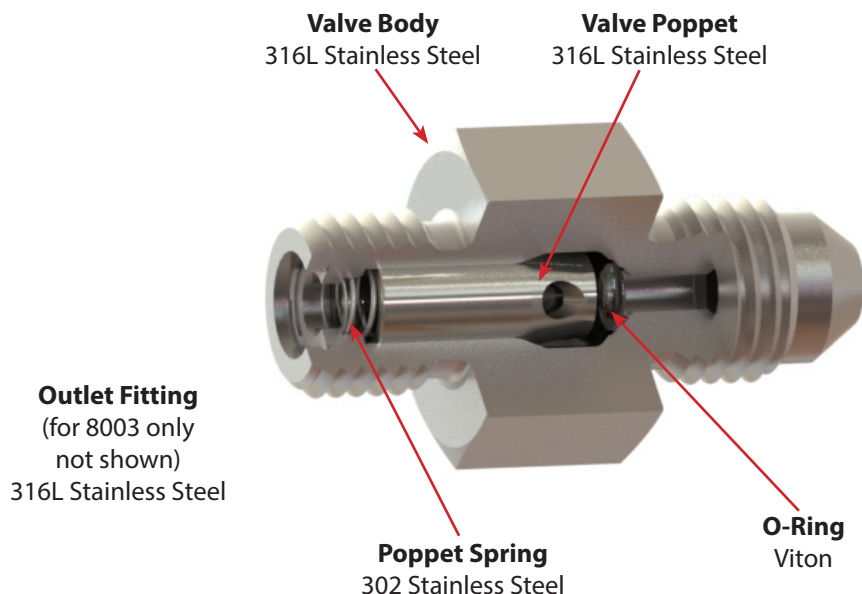
These small compact check valves are robust options for reverse flow control in aerospace applications requiring light weight and bubble tight leak prevention. They are available in several configurations and are of 316SST construction. Made in USA.

Specifications:

	8003	11002	13013
• Inlet Connections	AS4395	AS4395	AS4320
• Outlet Connections	AS4395	AS4320	AS4395
• Operating Pressure	—— 0-3000 psig ——		
• Proof Pressure	—— 4500 psig ——		
• Burst Pressure	—— 9000 psig min. ——		
• Cracking Pressure	10 psi	9 psi	9 psi
• Operating Temperatures			
Minimum	-15 °F	-15 °F	-15 °F
Maximum	+250 °F	+400 °F	+250 °F
• Flow Coefficient (C _v)	—— approx .3 ——		



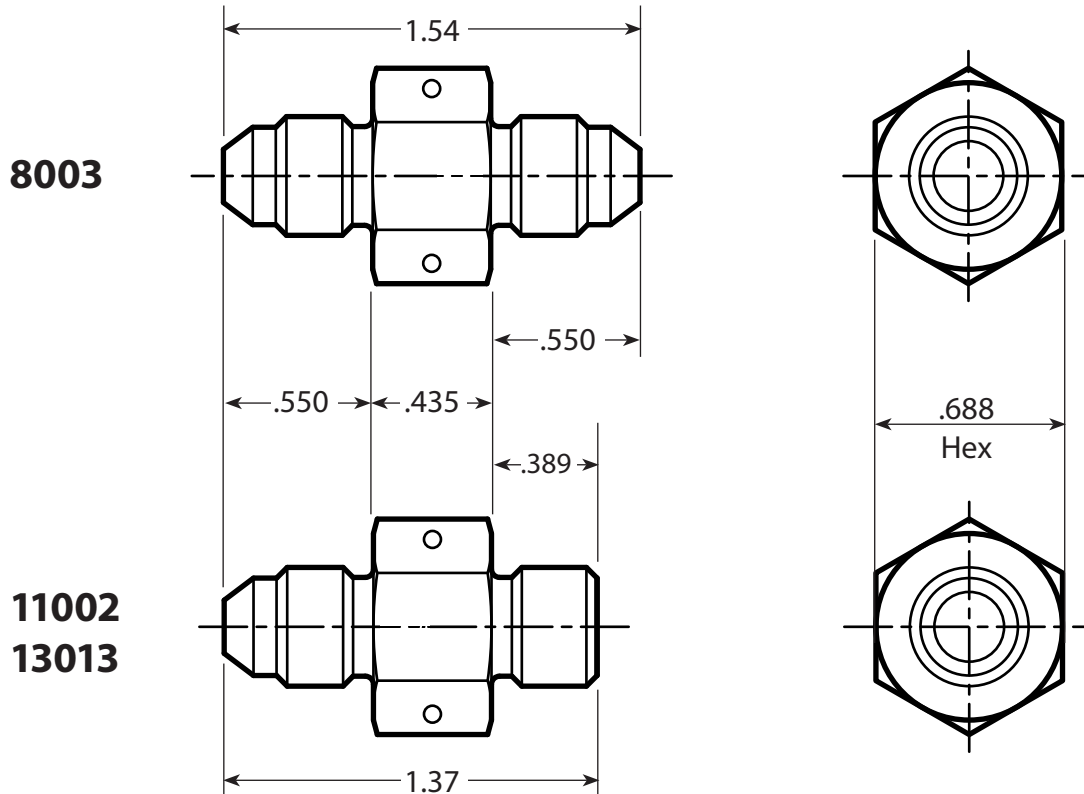
Component Materials:



Model 11002 shown. Materials for the 8003 and 13013 are the same except where noted.

1/4" Miniature Check Valves - Models 8003 & 11002 & 13013

Dimensions:



Ordering Information:

1/4" Miniature check valve with male ends	8003000
1/4" Miniature check valve with male tube outlet	11002000
1/4" Miniature check valve with male tube inlet	13013000