

1/4" Relief Valve - Model 7016

*This relief valve is for use in ambient applications, the cracking pressure is factory preset and locked. The in-line design has a high flow capacity and excellent crack and reseat performance.
Made in USA.*

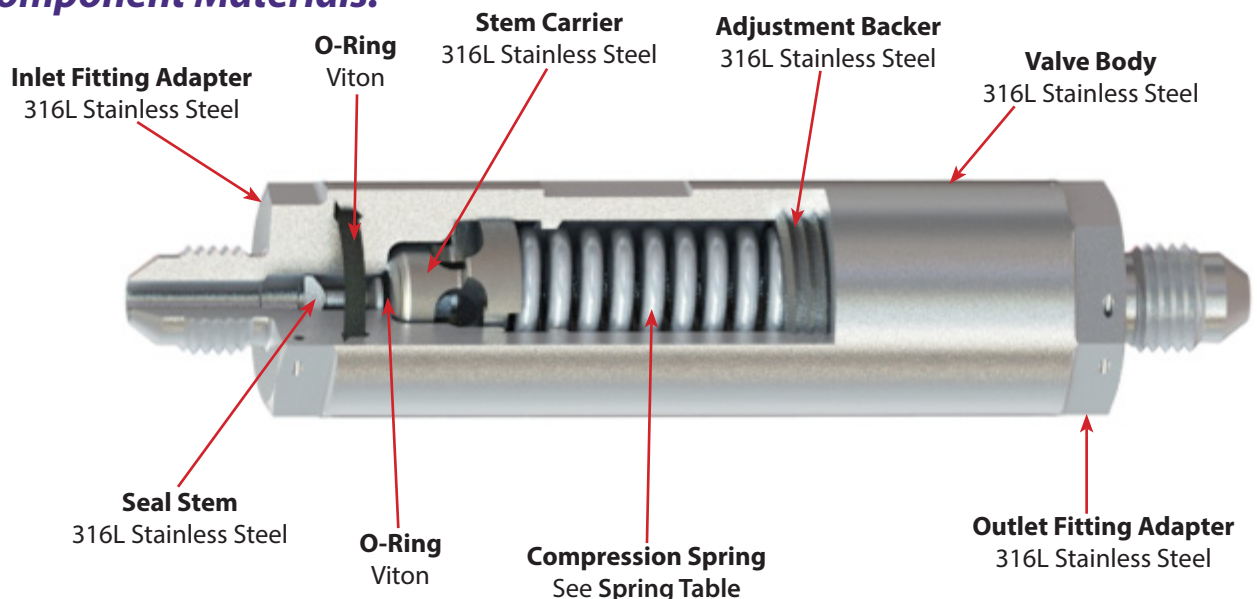
Specifications:

- Inlet/Outlet Connections AS4395
- Operating Range 2400 psig max.
- Proof Pressure 3600 psig
- Burst Pressure 6000 psig
- Cracking Pressure See **Spring Table**
- Operating Temperatures -15 °F to +400 °F



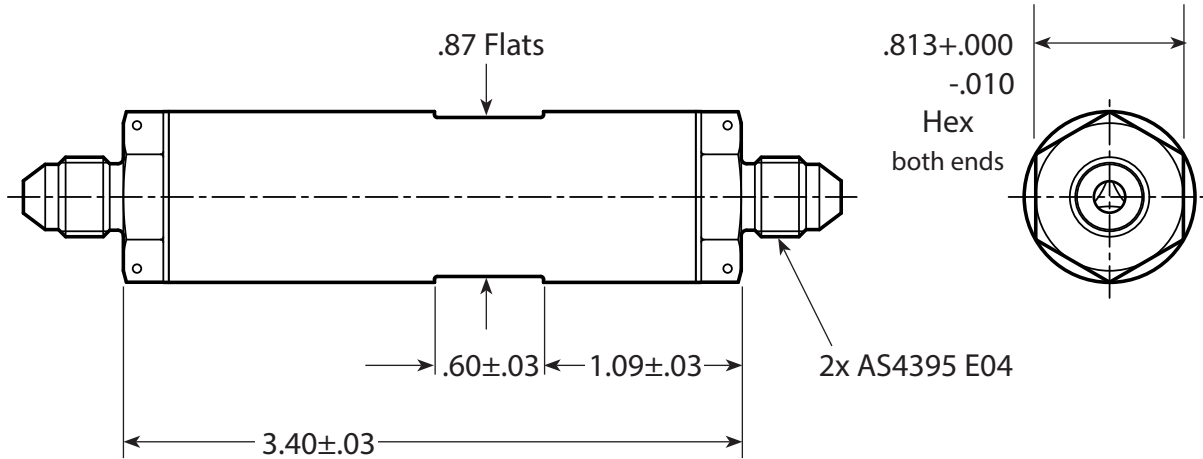
Spring Table			
Part Number	Cracking Pressure (psig)	Spring	Material
7016-915	915 ± 5%	07016103	17-7 Stainless Steel
7016-130	130 ± 5%	07016303	302 Stainless Steel
7016-250	250 ± 5%	07016503	302 Stainless Steel
7016-285	285 ± 5%	07016503	302 Stainless Steel
7016-350	350 ± 5%	07016503	302 Stainless Steel
7016-500	500 ± 5%	07016603	302 Stainless Steel

Component Materials:



1/4" Relief Valve - Model 7016

Dimensions:



Ordering Information:

7016 - 130

Basic Series

Cracking Pressure (psi)*

- 915
- 130
- 250
- 285
- 350
- 500

*Additional Cracking Pressures available. Contact the factory.