

Pressure Reducing Dome Loaded Regulator - Model 11054

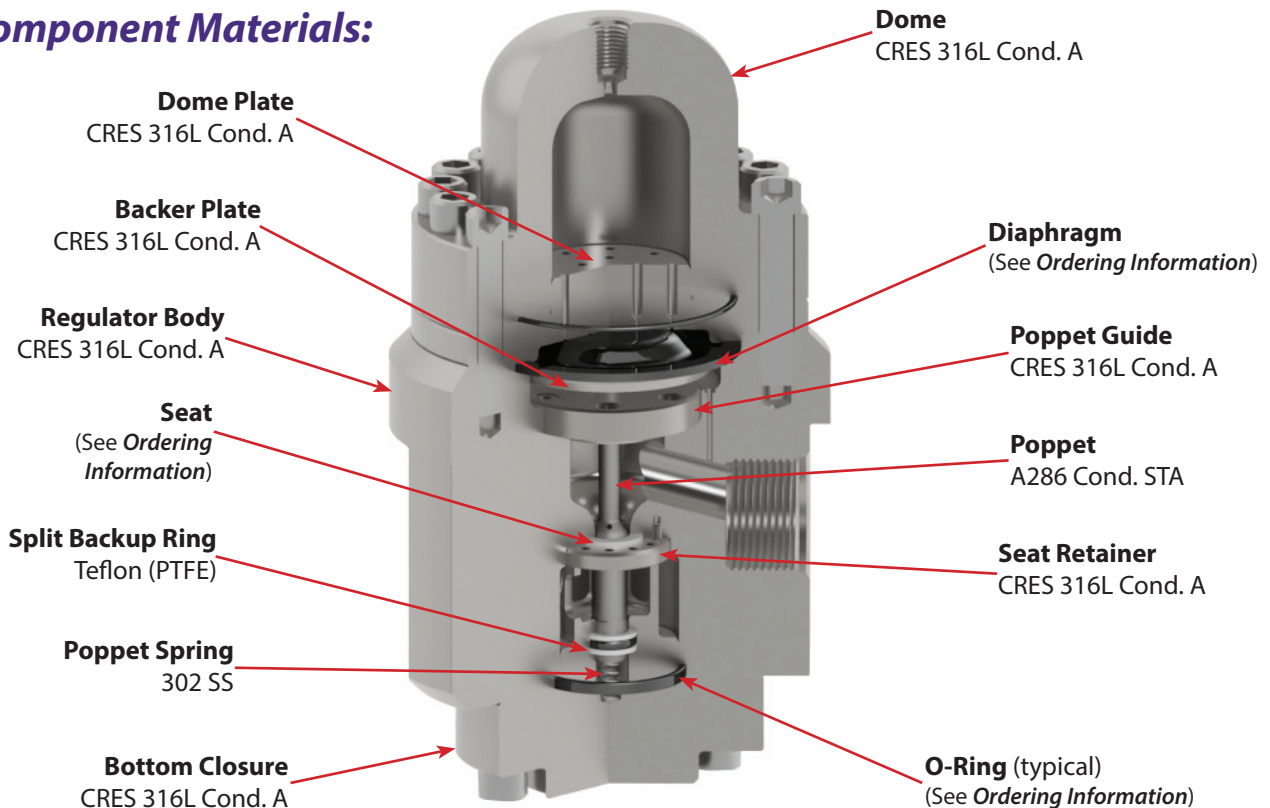
*Designed for reliable, accurate, high flow, high pressure applications, these dome loaded regulators offer rapid response time and positive shutoff for zero leakage.
Made in USA*

Specifications:

- | | | |
|--------------------------|-----------------|--|
| • Flow Coefficient | Dash Number | |
| | 0 | C _v .55 minimum |
| | 1 | C _v 2.2 minimum |
| | 2 | C _v 5.0 minimum |
| • Pressures | Inlet MEOP | 6000 psig |
| | Outlet Pressure | 6000 psig maximum |
| | Proof Pressure | 1.5x MEOP |
| | Burst | 4x MEOP |
| • Fluid Media | | Inert gases, including He, N ₂ and H ₂ |
| • Weight | | 27 pounds |
| • Operating Temperatures | | See <i>Ordering Information</i> |
| • Leakage | | Bubble Tight external 10 SCCM max internal |

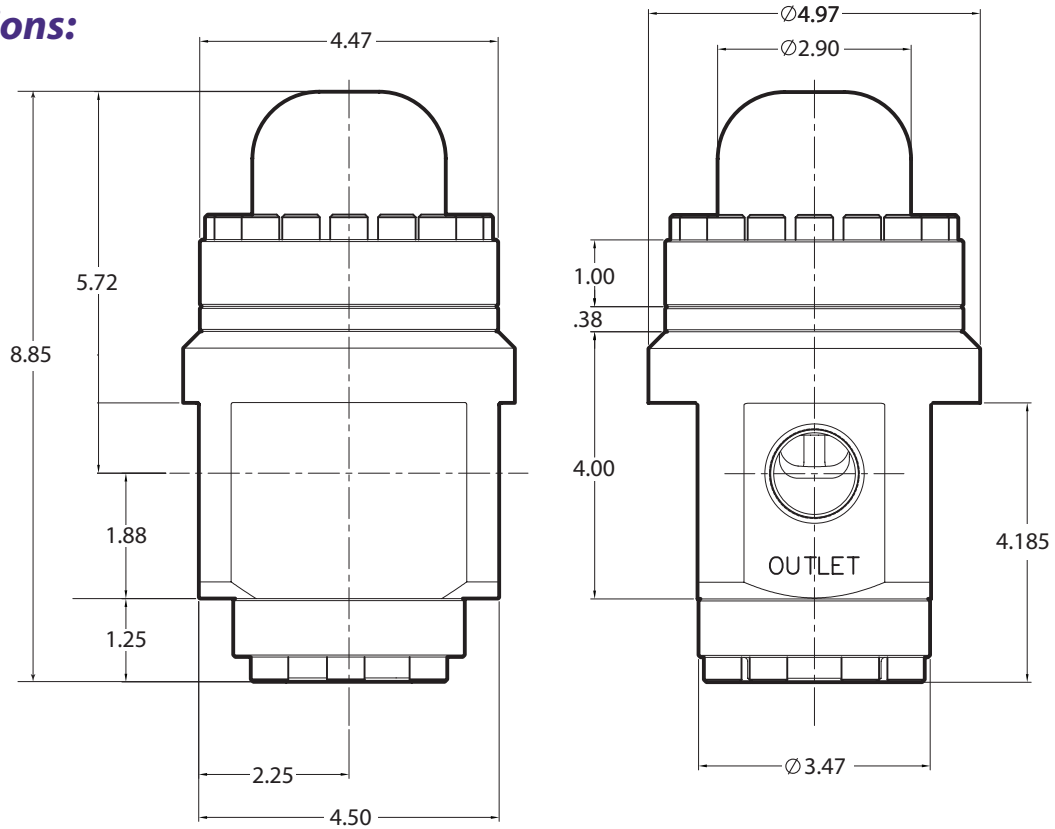


Component Materials:



Pressure Reducing Dome Loaded Regulator - Model 11054

Dimensions:



Ordering Information:

11054000 - V B K

Basic Series

Flow Coefficient

- 0 $C_v = .55$ minimum
- 1 $C_v = 2.2$ minimum
- 2 $C_v = 5.0$ minimum

Seal Material

- B Nitrile (Buna-N) -40°F to +275°F*
- V Fluoroelastomer (Viton) -15°F to +400°F
- E Ethylene Propylene (EPR) -65°F to +230°F

*Operating temperature range may depend on application.

Diaphragm Material

- P Polyurethane, 70 Durometer
- B Nitrile (Buna-N)
- V Fluoroelastomer (Viton)

Ordering Repair Kits:

11054000 - V B K RK

Basic Series

Dash Number

Seal Material

Diaphragm Material

Seat Material

Seat Material

- K PCTFE (Kel-F)
- V Vespel SP1
- S Vespel SP21
- P Polyether ether ketone (PEEK)