

Pressure Reducing Dome Loaded Regulator - Model 11023

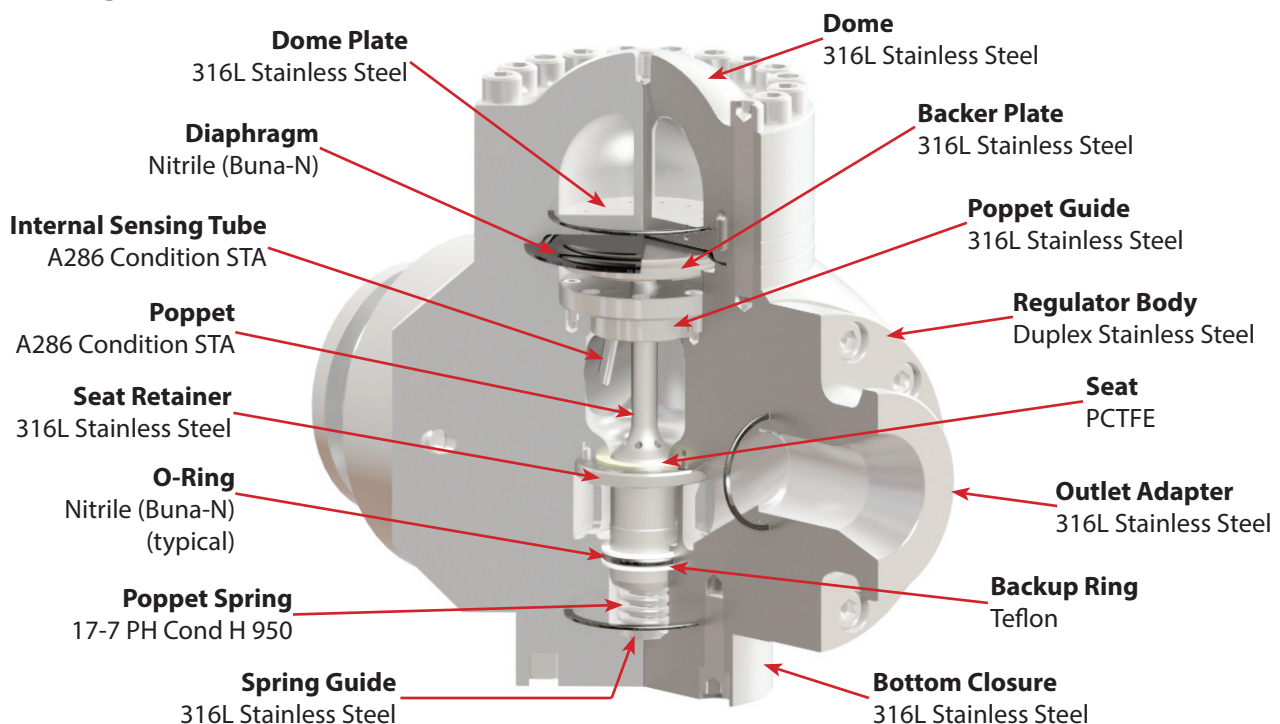
*Designed for reliable, accurate, extremely high flow applications—this dome loaded regulator offers rapid response time and is compatible with a wide range of gases.
Made in USA.*



Specifications:

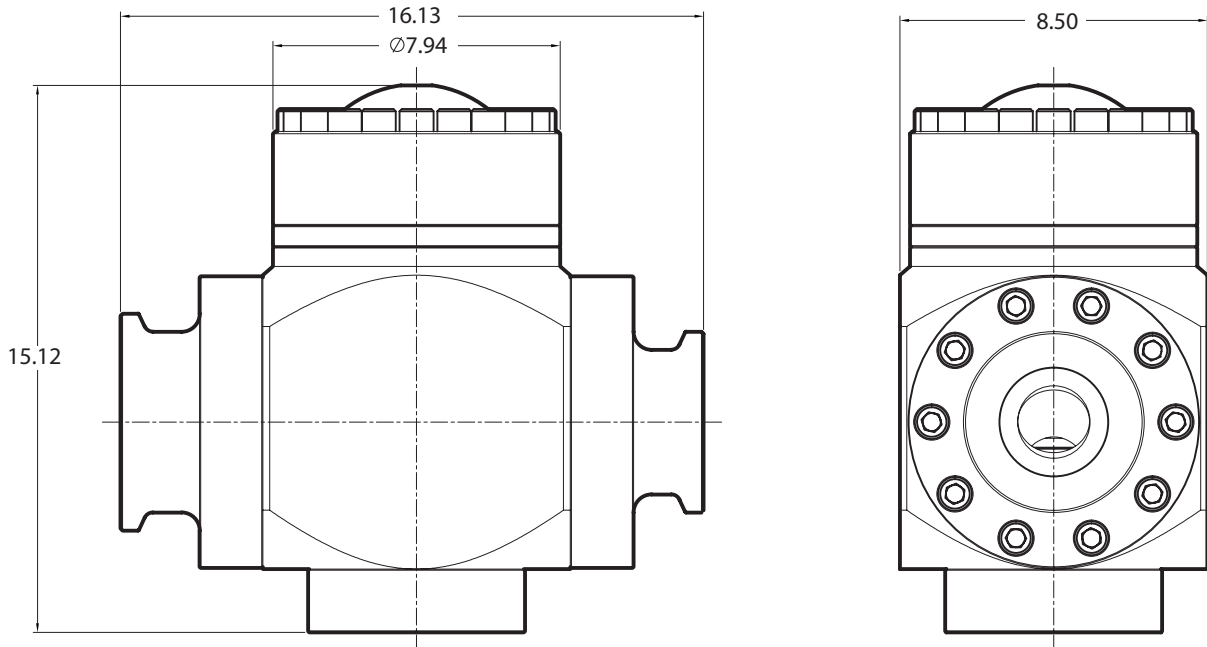
- Flow Coefficient C_v 26 minimum
- Pressures
 - Inlet MEOP 6000 psig
 - Outlet Pressure 6000 psig maximum
 - Proof Pressure 1.5x MEOP
 - Burst 4x MEOP
- Fluid Media Inert gases, including He, N₂ and H₂
- Weight 275 pounds
- Operating Temperatures -65° to +400 °F
Dependant on seal material and application

Component Materials:



Pressure Reducing Dome Loaded Regulator - Model 11023

Dimensions:



Ordering Information:

Contact the Factory for ordering information.