

Pump Pressure Regulators – Models 600I & 7003

Backpressure regulator provides accurate pressure control, superior corrosion resistance and updated design to improve performance. Made in the USA

Features:

- Absorbs normal pulsation
- Single piece, high strength stainless steel piston/stem
- Regulates pressure within 5% (independent of flow)
- Updated design for direct replacement of existing elbow-style pump pressure regulators

Specifications:

- 600I Flow Rate: Up to 5 gpm
- 7003 Flow Rate: Up to 10 gpm
- Pressure Range: 750 psi to 2000 psi
- Temperature: Up to 250°F

Wetted Materials:

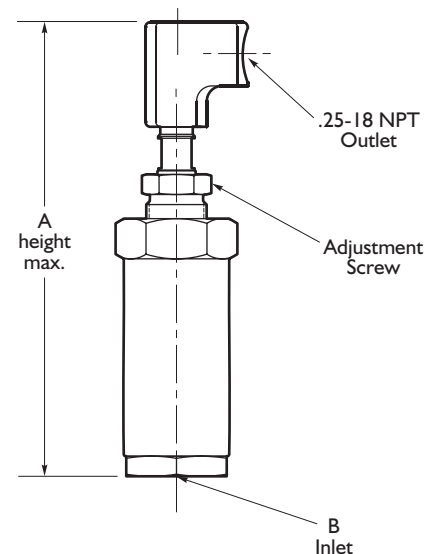
- Body: Electroless nickel plated brass
- Integrated Stem/Piston: 416 Stainless steel
- Adjustment Screw: Electroless nickel plated brass
- Elbow: Electroless nickel plated brass
- Seat: 416 Stainless steel

Ordering Information:

Order Model 600I for up to 5 gpm.
Order Model 7003 for up to 10 gpm.
For a Repair Kit, order RK600I or RK7003.

Applications:

Self service, full service and tunnel carwashes; multiple drop cleaning systems; high pressure washers with multiple hoses; fixed pump pressure systems.



Dimensions:

Model	600I	7003
Height A	5.63	6.90
Inlet Size B	.375-18NPT	.500-14 NPT