

## Trunnion Ball Valve - Model 9001

Engineered specifically for aerospace ground support applications that require excellent flow control, this robust design provides reliable actuation and durable service. These valves may be modified to meet customer face to face requirements. Made in USA.

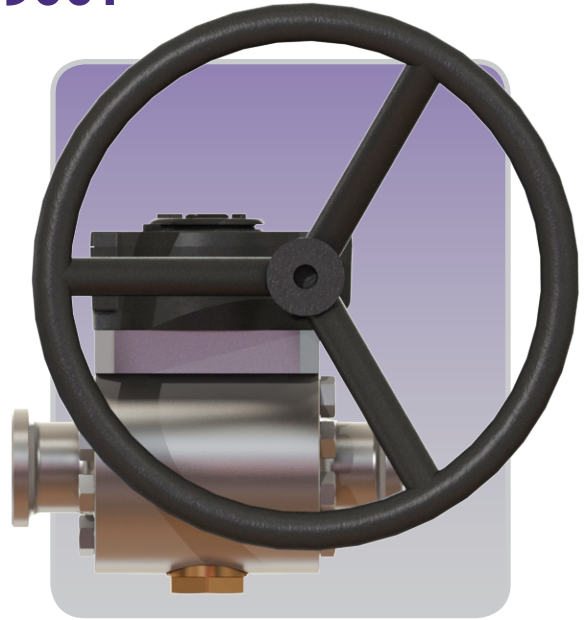
### Specifications:

- Operating Pressure 6000 psig\*
- Proof Pressure 9000 psig
- Burst Pressure 24,000 psig
- Operating Temperatures See *Ordering Information*

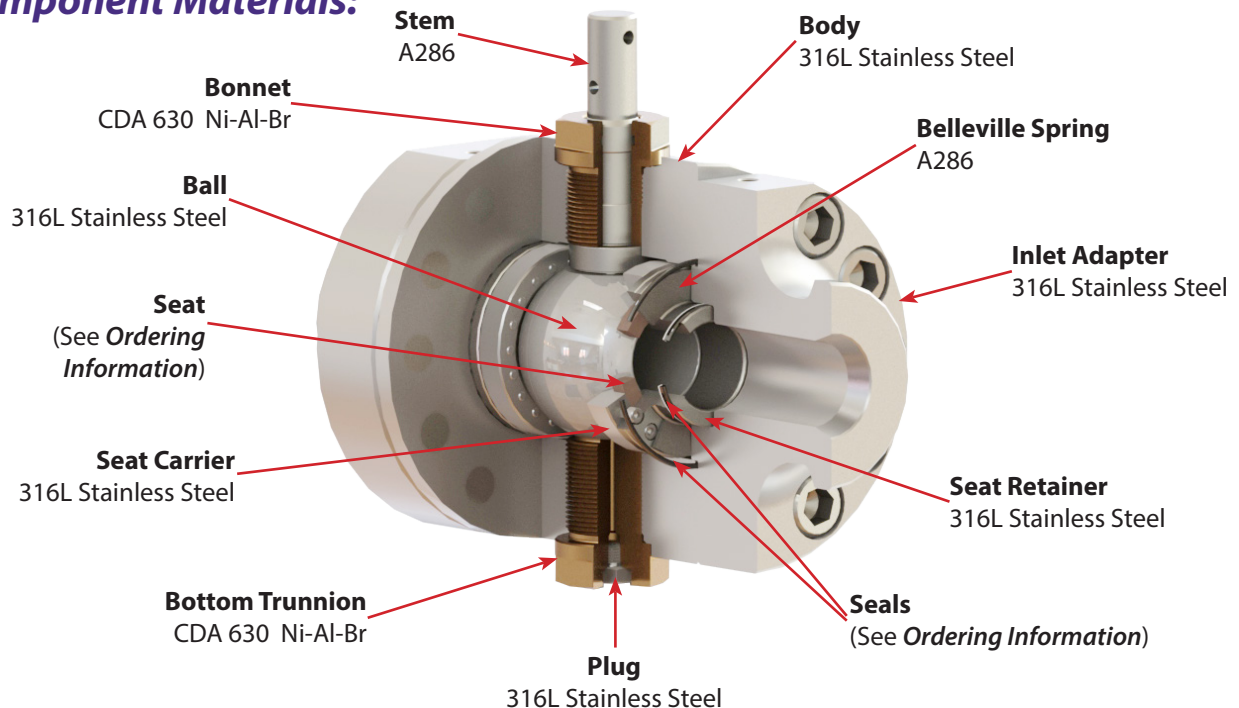
Line Size	C <sub>v</sub> (min.)	Weight (lb)**	Waterway Size ±.01
16	31	29	.815
24	57	44	1.10
32	133	85	1.50
48	322	236	2.30

\* Valve body pressure rating is 6000 psig. Seat material, hub/ring size and service temperature may limit maximum valve working pressure.

\*\*Weight of bare stem valve with Grayloc® Hubs

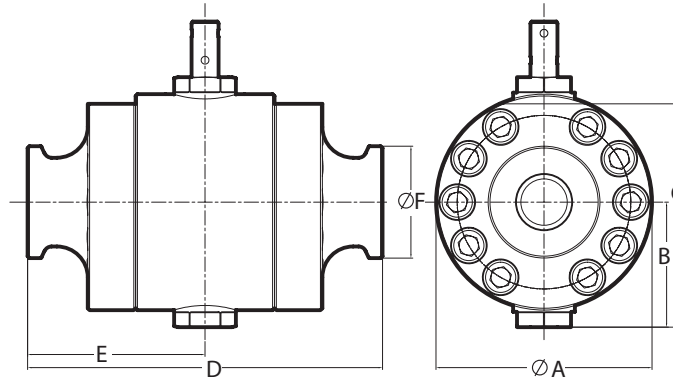


### Component Materials:



# Trunnion Ball Valve - Model 9001

## Dimensions:



Dimensions with Grayloc® Hubs								
Line Size	Hub Size	Seal Ring	ØA ±.06	B ±.03	C ±.005	D ±.005	E ±.005	ØF ±.005
16	1GR5	05	4.95	2.85	4.987	7.740	3.870	2.000
	1GR7	07	4.95	2.85	4.987	7.740	3.870	2.000
24	1.5GR11	11	5.50	3.25	6.099	10.000	5.000	3.125
	1.5GR14	14	5.50	3.25	6.099	10.000	5.000	3.125
32	2GR14	14	7.00	4.05	7.238	11.500	5.750	3.625
	2GR20	20	7.00	4.05	7.238	11.500	5.750	3.625
48	3GR25	25	9.88	5.86	10.250	16.000	8.000	5.000
	3GR27	27	9.88	5.86	10.250	16.000	8.000	5.000

## Ordering Information: 9001 - S V 16 G07 -1

### Basic Series

### Seat Material

- S Vespel SP-21 -65°F to +550°F\*
- V Vespel SP-1 -65°F to +550°F
- D Delrin -40°F to +180°F
- P Peek -65°F to +350°F

### Seal Material

- V Viton -15°F to +400°F\*
- B Buna-N -40°F to +275°F
- R Ethylene Propylene (EPR) -65°F to +230°F
- C Chemraz -20°F to +450°F
- K Kalrez -20°F to +550°F

\*Operating temperature range may be dependant on application.

### Operator

- Blank Lever (not available on 24, 32 or 48)
- 1 Manual Gear
- 2 Actuator Pneumatic, Double Acting
- 3 Actuator Pneumatic, Spring Return, Fail Close
- 4 Actuator Pneumatic, Spring Return, Fail Open

### End Connections

- T Tube per AS5202 (call factory for details)
- GXX Grayloc®
- XX (see table for Seal Rng)

### Line Size

- 16 1"
- 24 1½"
- 32 2"
- 48 4"

## Ordering Repair Kits: 9001 - S V 16 - RK

### Basic Series

### Seat Material

### Line Size

### Seal Material