

Pop Off Relief Valves - Models 7011 & 7013

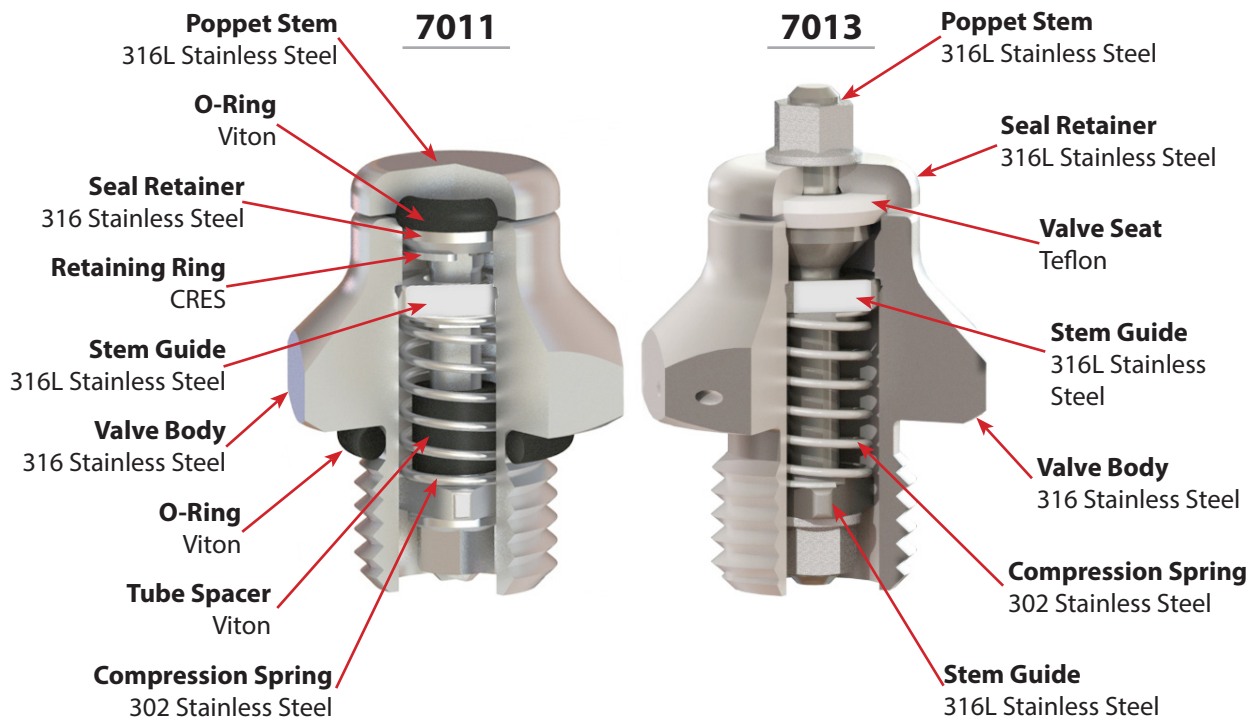
These 1/4" relief valves are available for ambient (Model 7011) and cryogenic (Model 7013) applications. They come with the cracking pressure pre-set by the factory. The valves have tamper proof adjustment and an accurate set pressure.
Made in USA.

Specifications:

	7011	7013
• Inlet/Outlet Connections	AS4320	AS4320
• Operating Pressure	Vacuum to 200 psig	Vacuum to 200 psig
• Proof Pressure	400 psig	300 psig
• Burst Pressure	500 psig min.	500 psig min.
• Cracking Pressure	10 psi max.	See chart over
• Operating Temperatures	-20 °F to +400 °F	-320 °F to +400 °F

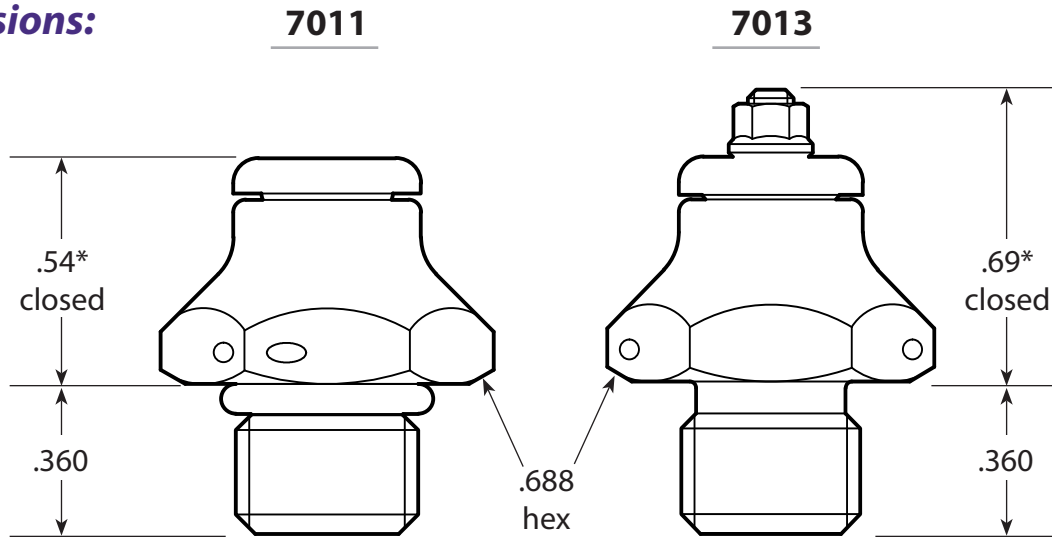


Component Materials:

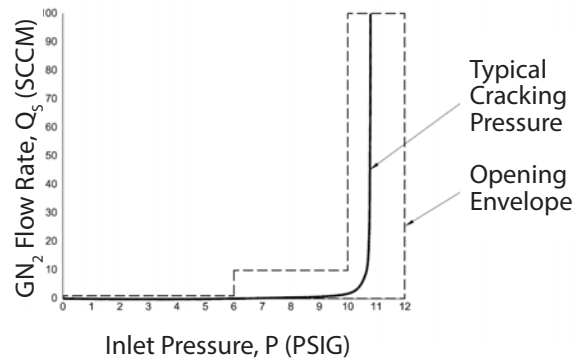
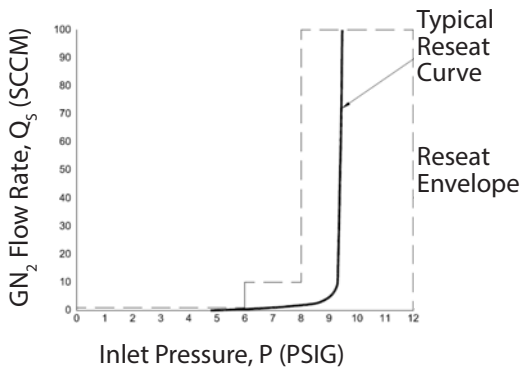


Pop Off Relief Valves - Models 7011 & 7013

Dimensions:



Cracking and Reseating Pressures for 7013:



Ordering Information:

- Relief valve for ambient conditions **7011000**
- Relief Valve for cryogenic conditions **7013000**